

Published on *HomeRight* (<https://www.homeright.com>)

[Home](#) > Printer-friendly PDF > How to make a crib by DIY Tyler

How to make a crib by DIY Tyler

Tyler from DIY Tyler used the HomeRight Finish Max paint sprayer to finish this simple crib build with white paint. He liked how smooth and even the finish was upon completion.

Show this sprayer on Amazon.

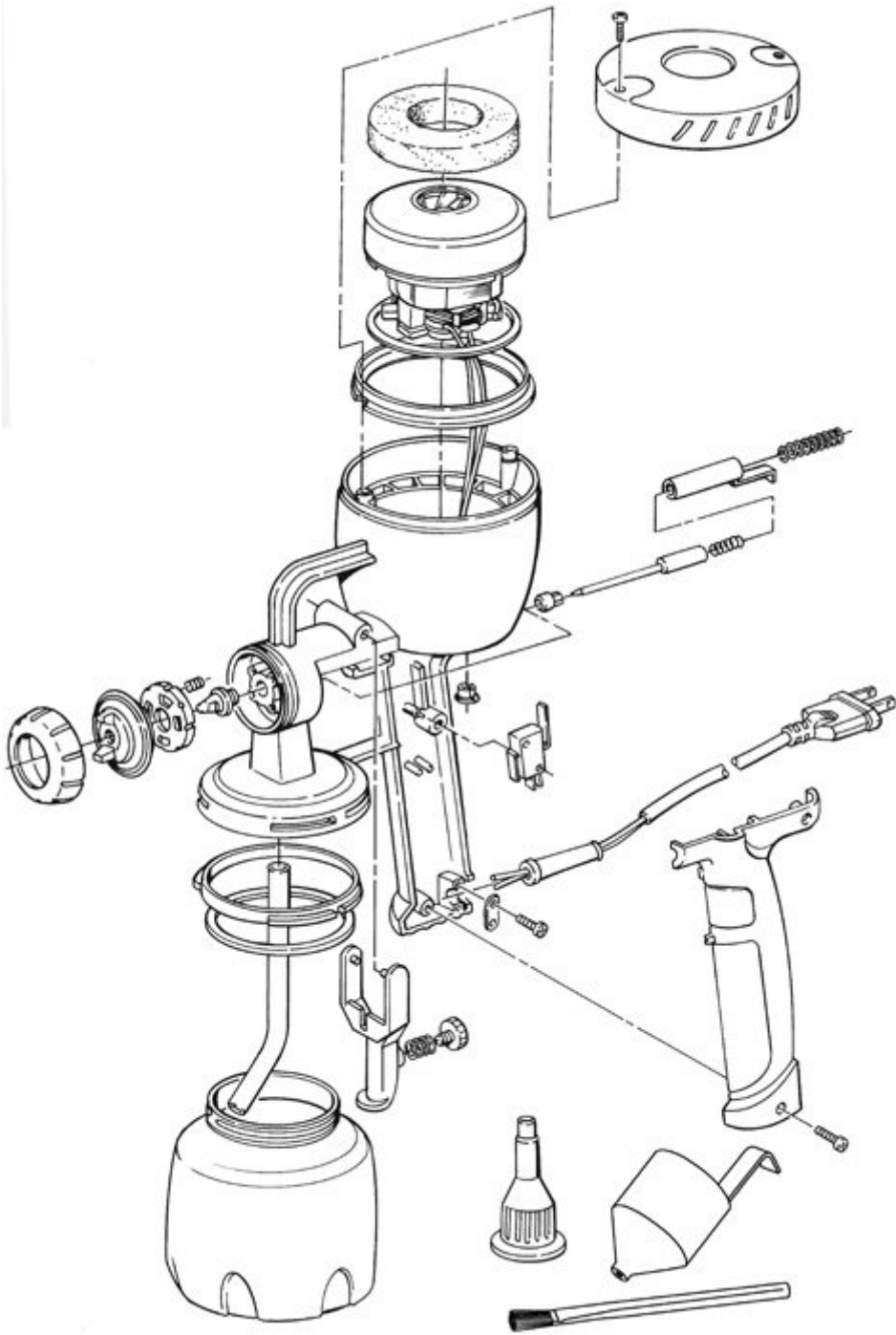
Weight:

3.35 lb

Dimensions:

5.25 × 10.13 × 12.5 in

Parts Diagram:



Source URL: <https://www.homeright.com/how-to-video/how-to-make-a-crib-by-diy-tyler>