

---

**100** PAINT  
SPRAYER

**120** PAINT  
SPRAYER

## Instruction Booklet

### SAVE THESE INSTRUCTIONS

READ AND UNDERSTAND THIS OWNER'S MANUAL BEFORE OPERATING YOUR AIRLESS SPRAYER.

*For Household Use Only*

KEEP CHILDREN AWAY FROM WORKING AREA.

---

**Rociadores de pintura modelos 100 y 120**

**Folleto de instrucciones**

### CONSERVE ESTAS INSTRUCCIONES

LEA Y ENTIENDA ESTE MANUAL DEL PROPIETARIO ANTES DE OPERAR SU ROCIADORA SIN AIRE.

*Para el uso de la casa solamente*

MANTENGA A LOS NIÑOS ALEJADOS DEL ÁREA DE TRABAJO.

---

**Pulvérisateur à peinture, modèles 100 et 120**

**Livret d'instructions**

### CONSERVEZ CES DIRECTIVES

L'UTILISATEUR DOIT LIRE ET COMPRENDRE LE GUIDE DU PROPRIÉTAIRE AVANT DE FAIRE FONCTIONNER LE PULVÉRISATEUR À HAUTE PRESSION.

*Pour usage domestique seulement*

TENEZ LES ENFANTS ÉLOIGNÉS DE L'AIRE DE TRAVAIL.

---

**HOMERIGHT®**

# 100 and 120 Paint Sprayer Operating Instructions

Like other power tools airless sprayers are safe when properly used but can be dangerous if misused. It is the responsibility of the owner to read all instructions, warnings, and safety precautions before operating the unit and to use the unit properly. Failure to do so may result in personal injury or loss of life and product damage.

Do not try to repair (or disassemble) the unit yourself. Repairs should be performed by a qualified shop familiar with this unit or returned to HomeRight (see warranty). This unit is to be used with authorized parts only. Parts that do not comply with the specifications and safety devices of the manufacturer, the user assumes all risks and liabilities.

## ! WARNINGS

- Do not operate sprayer without fluid in it.
- Do not leave your sprayer unclean or allow materials to dry in the pump.
- Do not spray any textured materials containing particles or fibers such as metallic paints, fire retardant paints.
- Do not use sprayer outside if raining.
- Do not use sprayer below garage floor or grade level.

**Hazard: Injection Injury - the airless sprayer pumps materials at high pressure and can pierce skin and underlying tissues, leading to serious injury or amputation.**

**Do not treat injection injuries as a simple cut. Injection injuries can lead to amputation. Seek a physician's help immediately.**

- Never aim the sprayer at any part of the body.
- Never allow any part of the body to come into contact with liquid stream.
- Never put hand in front of gun. Gloves will not prevent injection injuries.
- Never leave sprayer unattended or plugged in while cleaning.
- Never remove tip guard while spraying.

**Hazard: Explosion or Fire - Stain and solvent fumes can explode or ignite, causing property damage and/or severe injury.**

- Keep area well ventilated. Exhaust and introduce fresh air to keep fumes from accumulating in work area.
- Do not spray in areas where there are ignition sources, static electricity sparks, pilot lights, heaters, hot objects, cigarettes, open flames.
- Have fire extinguishing equipment present and in good working order.
- Follow safety instructions and warnings of material manufacturers.

**Hazard: Hazardous Vapors - Stain, paints, solvents, insecticides, varnishes, and other materials may be harmful if inhaled, causing severe nausea, fainting, or poisoning.**

- Use a mask or respirator when spraying when there is a chance of inhaling vapors.
- Use protective eyewear.

## GROUNDING INSTRUCTIONS

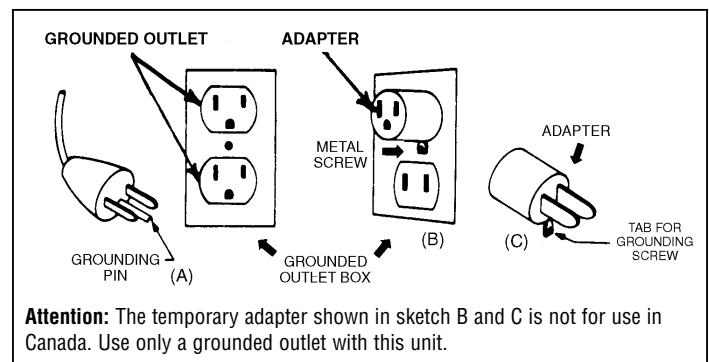
The airless sprayer must be grounded. In the event of an electrical short circuit, grounding reduces the risk of electrical shock by providing an escape wire for the electric current. This product is equipped with a cord having a grounding wire with an appropriate grounding plug. The plug must be plugged into an outlet that is properly installed and grounded in accordance with all local codes and ordinances.

**DANGER - Improper use of the grounding plug can result in a risk of electric shock.**

If repair or replacement of the cord or plug is necessary, do not connect the grounding wire to either flat blade terminal. The wire with insulation having an outer surface that is green with or without yellow stripes is the grounding wire.

Check with a qualified electrician or serviceman if the grounding instructions are not completely understood, or if in doubt as to whether the product is properly grounded. Do not modify the plug provided; if it will not fit the outlet, have the proper outlet installed by a qualified electrician.

This product is for use on a normal 120 volt circuit, and has a grounding plug that looks like the plug illustrated in sketch A. A temporary adapter, which looks like the adapter illustrated in sketches B & C, may be used to connect the plug to a 2-pole receptacle as shown in sketch B if a properly grounded outlet is not available. The temporary adapter should only be used until a properly grounded outlet (sketch A) can be installed by a qualified electrician. The green colored rigid ear, lug, or the like extending from the adapter must be connected to a permanent ground such as a properly grounded outlet box cover. Whenever the adapter is used, it must be held in place by a metal screw.



## Extension Cords

Use only a 3-wire extension cord that has a 3-blade grounding plug and a 3-slot receptacle that will accept the plug. Make sure your extension cord is UL/ETL/CSA listed and is in good condition. When using an extension cord, be sure to use one that is heavy enough for the current - for lengths less than 50 feet use a #18 AWG. or heavier, for more than 50 feet use #16 AWG. If in doubt use a heavier gauge. The smaller the gauge the heavier the cord. An undersized cord will cause a drop in line voltage resulting in loss of power and possible damage to the product.

## STORAGE

Make sure unit is clean and dry before storing. Store in a dry location. The electrical cord should not be crimped during storage to prevent damage.

# 100 and 120 Paint Sprayer Operating Instructions

## PRACTICE FIRST

Practice spraying water on newspaper or cardboard. This will give you the feel of the sprayer and all its features. Follow the instructions for adjusting to the proper spray pattern.

- Check the following: See Figure A.
  - Atomizer valve assembly is in cartridge.
  - Spray nozzle is screwed on tightly
  - Pick-up tube with filter is inserted tightly into tall cylinder port of pump housing.
- Fill container with water.
- Plug in sprayer
- Press trigger. Allow a few seconds for the pump to spray material.
- As you spray, notice the difference in spray volume and spray pattern while adjusting the control knob. Adjust the control knob until you get the best possible spray pattern.

**NOTE:** The best distance for spraying is 10" -12". Too far away may cause excessive over spraying and too close may cause excessive paint build-up. See Figure B.

- Keep a stiff wrist. Do not arch your wrist at the beginning or the end of the stroke. Do not stop the motion of the unit while spraying. The path of the sprayer must pass beyond the area being painted and the flow of paint must be triggered on and off as the sprayer passes into and out of the spraying area. See Figure C.

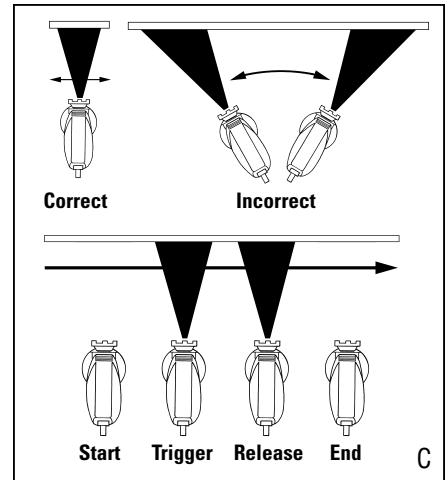
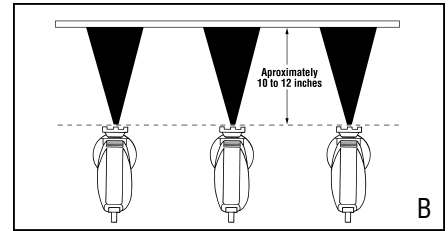
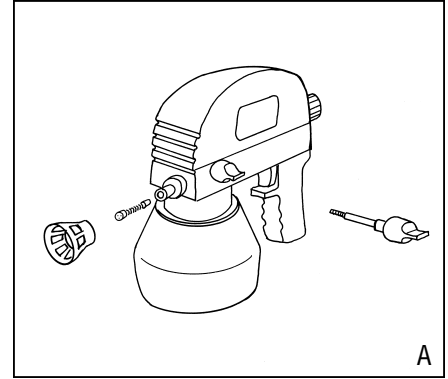
Stopping the motion of the sprayer or swinging into a new stroke pattern while paint is being delivered will result in heavy paint build-up at the edges of the stroke.

## THINNING MATERIALS

In order for your sprayer to operate properly it is important to make sure the material is thin enough to be sprayed. Paint should be thinned with the material recommended by the manufacturer.

For latex paints use a lubricant additive or water. Water will help the paint atomize but a lubricant additive such as Floetrol (brand name) helps prevent excess piston wear and possible seizure. If the piston seizes you will need to add a lubricant.

Following is a general thinning chart. For some materials use the viscosity cup provided (Figure D) to determine thinness. Fill viscosity cup with material, time how long it takes to empty, see chart below. Because materials differ from brand to brand, this chart is only a place to start. The final evaluation of correctly thinned paint is achieving the proper sprayer pattern. See Figure E.



### Water-based materials

Latex paint.....	thin 10% to 15%
Acrylic paint.....	thin 10% to 15%
Primer.....	thin 10% to 15%
Latex Stain.....	thin 10% to 15%
Polyurethane.....	use as is, no thinning required
Water sealers.....	use as is, no thinning required
Insecticides.....	use as is, no thinning required
Pesticides.....	use as is, no thinning required

### Oil-based materials

Paint.....	15 to 25 seconds
Primer.....	15 to 25 seconds
Stain.....	use as is, no thinning required
Sealer.....	use as is, no thinning required
Enamel.....	25 to 30 seconds
Rust inhibiting paints.....	use as is, no thinning required
Polyurethane.....	use as is, no thinning required
Varnishes.....	16 to 20 seconds

## Spray Tip

Choose the correct spray tip for the material you are using. When using thin materials (stains and sealers) use the smaller sized tip (.6mm). For latex paints and other heavy-bodied materials use the .8mm tip. Make sure spray tips are clean and not plugged for the sprayer to work properly.

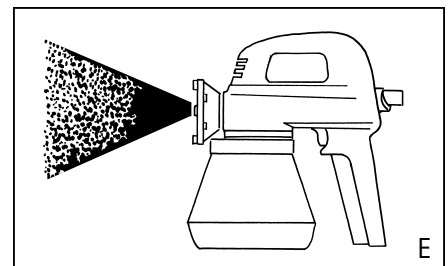
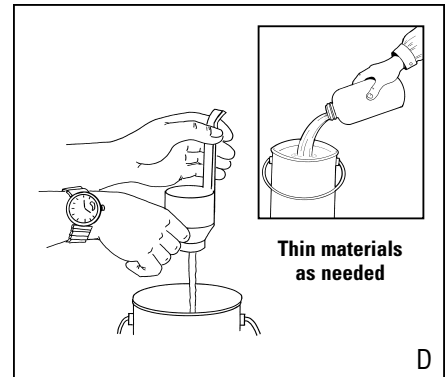
### Notes:

- Additional thinning may be required when using the suction tube and/or the flexible spray extension.
- Be sure suction tube is tightly inserted in correct intake port.
- Thin material to proper viscosity.
- Use the correct spray tip for the material being used.
- Check spray tip and atomizer valve for wear.
- Always clean and oil sprayer thoroughly after each use.

**When a low humming sound is heard, usually the piston has seized, immediately stop pressing on the trigger, or damage to the motor can occur.**

## Paint Tips

- Old paint or stain should be strained before using.
- Stir paint slowly, do not shake to prevent air bubbles.
- If using multiple gallons, mix together for consistent color.



# 100 and 120 Paint Sprayer Operating Instructions

## SPRAYING INSTRUCTIONS

1. Appropriate breathing protection, eye protection, gloves and clothing should be used.
2. Begin spraying, adjust the control knob to get the best spray pattern, continue to spray on newspaper or cardboard.

A pattern with heavy spray in center, means the pressure is too low (Figure F1). Adjust the control knob by turning counterclockwise to increase pressure. The paint should be evenly spread over the surface. See Figure F2.

3. If the spray pattern is not correct, change the nozzle.
4. If the spray pattern is still heavy in the center, material may need to be thinned.
5. If the spray pattern is still not correct, disassemble the spray nozzle and inspect the atomizer valve assembly. If the valve is excessively worn, (normally scratch marks around the outside) replace the atomizer valve assembly.
6. If the spray pattern is still not correct, a thorough cleaning of the nozzle, atomizer valve assembly, and pump assembly may be required. Cleaning every 5-9 gallons of paint may be necessary for correct spraying. After cleaning, reassemble the parts.
7. Hold the sprayer 10-12 inches from the surface to be stained. Keep the sprayer parallel to the ground without pointing it up or down. See Figure G.
8. Overlap each stroke about 1/3 of the spray pattern.
9. To spray inside corners, spray the adjoining walls or surface first. The over spray will paint the corner.
10. When you spray an outside corner, point the nozzle of the sprayer in towards the surface. This will prevent paint from being sprayed past the corner and onto surfaces you do not want painted.

## NOTE:

- TILTING THE AIRLESS SPRAYER IS NOT RECOMMENDED.
- TO AVOID RUNS AND SAGS DO NOT SPEED UP OR SLOW DOWN WHILE MOVING THE SPRAYER.

**Caution:** Do not twist electrical cord, make sure heavy objects are not placed on electrical cord. Keep electrical cord away from heat and sharp objects. Make sure cord is not in a traffic area to avoid tripping of persons. Do not use if cord is damaged.

## IMPORTANT

Should a low humming sound and/or irregular spray pattern occur while spraying, immediately stop spraying and unplug from electrical source. Thoroughly clean sprayer, this will prevent the motor from overheating and causing damage to the sprayer. (See cleaning instructions).

## Note:

- If you stop spraying for 30 minutes or longer, retest the spray pattern by spraying on newspaper or cardboard. If you are unable to adjust the spray pattern properly, there is a possibility that the paint has started to dry. If this happens, it is time to clean the sprayer. (See cleaning instructions).
- Keep vent in pump housing clean. If paint should dry and clog hole, your sprayer will not function properly.

## USING THE SUCTION TUBE KIT WITH THE PAINT SPRAYER 100/120

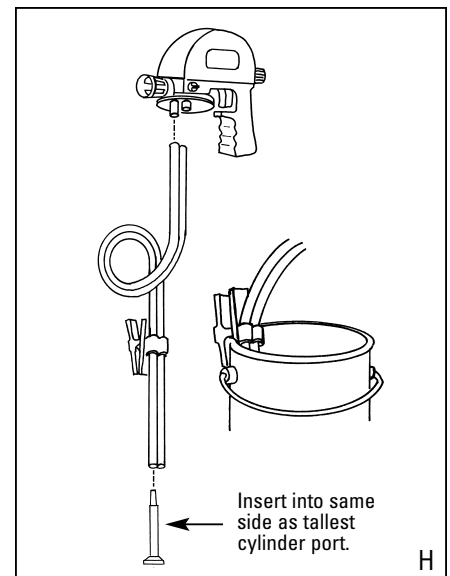
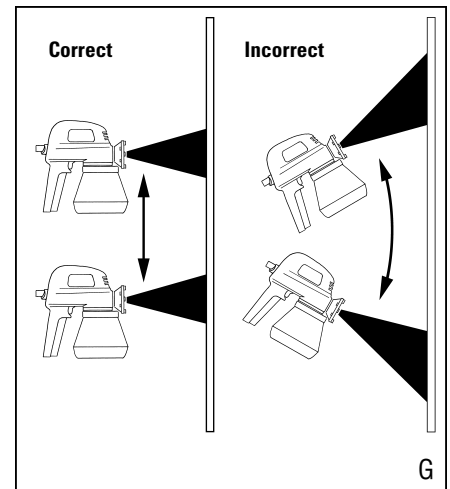
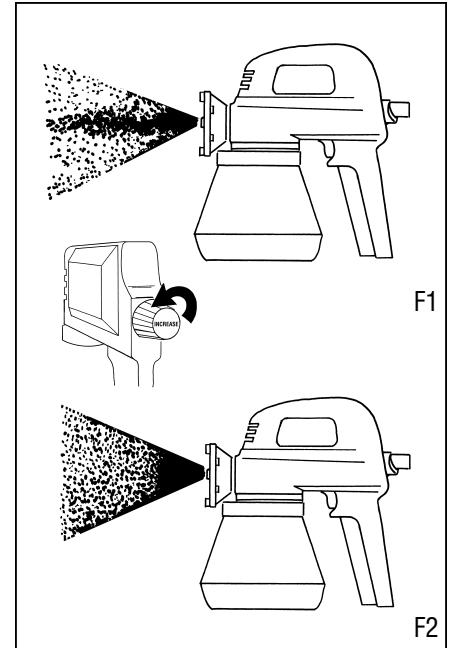
1. Remove the container and pick up tube with filter from the sprayer.
2. Slide dual tubing onto the two open cylinder ports on the sprayer.
3. Follow tubing down from the tallest cylinder port, insert pick up tube with filter into that end of the plastic tubing.
4. Immerse tube into material and secure to side of container using the retainer clamp.

**Note:** To reduce the time the sprayer runs without material, hold the sprayer below the fluid level when priming the sprayer, this will speed up the time the material is drawn through the tube. The materials may need additional thinning if the sprayer will not prime.

**Note:** Normal priming time is 1 minute for material to travel from container to sprayer. If it takes longer than 2 minutes stop sprayer. Sprayer may need to be lubricated (see cleaning instructions).

## Cleaning the Suction Tube

1. To clean your sprayer run water or solvent through the suction tube until clear.
2. Disassemble the fittings at both ends of the suction tube before any remaining material can dry.
3. Thoroughly clean the adapter fitting, pick up tube and filter.



# 100 and 120 Paint Sprayer Operating Instructions

## USING THE FLEXIBLE EXTENSION (Optional Accessory for Paint Sprayer 100)

The flexible extension can be bent at any angle to make spraying floors, ceilings, overhangs, or hard to reach areas easier. Using the flexible extension will prevent tilting of the sprayer.

Note: Tilting of the sprayer is not recommended as it may cause leakage.

1. Release spray tip by turning it counterclockwise. Remove the atomizer valve from sprayer and check for wear. The atomizer valve assembly should remain in cartridge.
2. Attach flexible extension end onto the sprayer.
3. Screw the spray nozzle onto the flexible extension, leaving the atomizer valve in the extension in place. See Figure I.
4. Bend the adjustable flexible extension to the position which is required for painting, this can be up, down, or sideways. See Figure J.

## Cleaning the flexible extension

1. To clean the flexible extension, spray water or solvent through the sprayer until clean.
2. Disassemble nozzle and atomizer valve to finish cleaning.
3. If you are using the suction tube, you will need to cover the materials to avoid a film forming and drying out.

Note: Before returning to project, practice first and adjust the spray pattern.

4. If using the paint container, empty any remaining material. Fill container approximately 1/2 full with the appropriate cleaning solution. For latex use warm soapy water; for oil based use solvent recommended by the material manufacturer.

## SHORT TERM CLEAN UP

Use these instructions if you are not going to be spraying for 30 minutes or longer but will continue the project.

1. Unplug electrical cord. Remove cylinder housing and clean piston, cylinder, atomizer valve and nozzle.
2. Before returning to project, practice first and adjust the spray pattern.

## LONG TERM CLEAN UP

If you are finished with the project or are not going to use the sprayer the next day you must follow these instructions for proper clean up. Never store sprayer longer than overnight without cleaning. **Failure to properly clean sprayer will cause damage.**

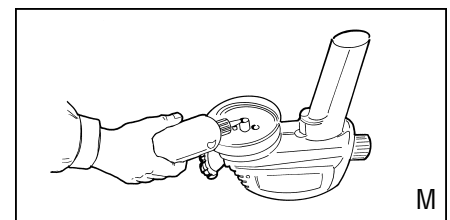
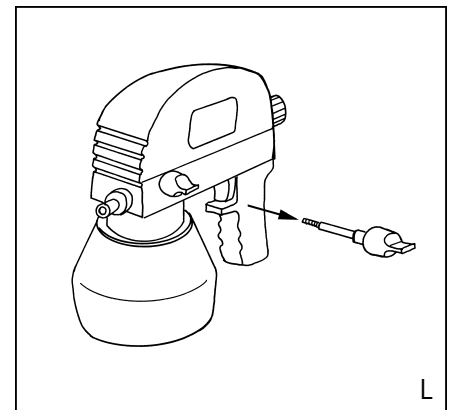
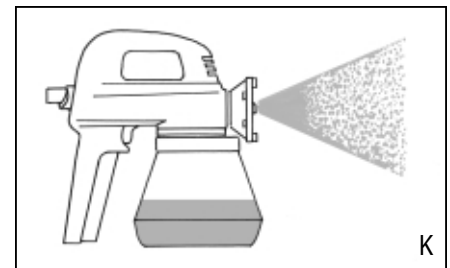
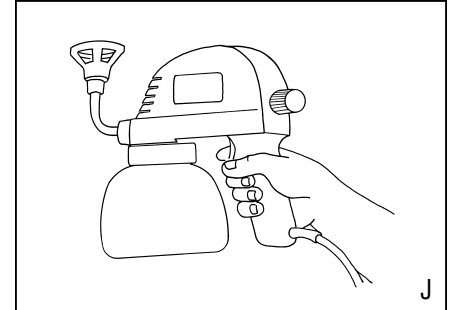
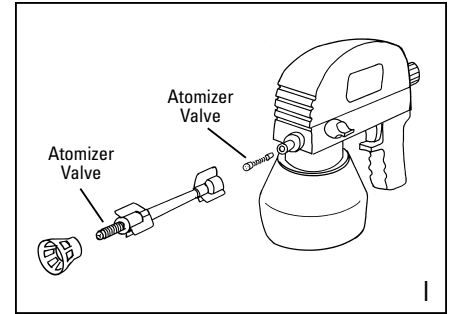
1. Unplug sprayer.
2. Empty any remaining material from the container. Fill approximately 1/2 full with appropriate cleaning solution; for latex use warm soapy water; for oil based use solvent recommended by the material manufacturer.
3. Plug in sprayer.
4. Trigger the sprayer until solution comes through clean. See Figure K.
5. Remove container and properly discard the cleaning solution.

## Cleaning pump housing:

1. Turn thumb knob counterclockwise to unscrew. Remove. See Figure L.
2. Pull down and forward on front of sprayer to remove cartridge housing.
3. Remove all parts, thoroughly clean with appropriate solution. Lubricate all moving parts with WD-40 or any lightweight oil.

## Re-assembly:

1. Reinsert cylinder pump assembly into sprayer. Place cover on housing. Insert thumb screw and tighten.
2. Turn sprayer upside down, then put in a small amount of light oil such as brand WD-40 into the suction hole and trigger briefly. This prevents the piston and cylinder from rusting. See Figure M.



# Rociadores de pintura modelos 100 y 120 - Folleto de instrucciones

Al igual que otras herramientas eléctricas, las rociadoras sin aire son seguras cuando se usan adecuadamente, pero pueden ser peligrosas si se usan incorrectamente. Es responsabilidad del propietario leer todas las instrucciones, advertencias y precauciones de seguridad antes de operar la unidad, y usar adecuadamente la unidad. Si no lo hace, puede ocasionar una lesión personal o la pérdida de la vida y daños al producto.

No trate de reparar (ni desmontar) la unidad usted mismo. Las reparaciones se deben realizar en un taller calificado que esté familiarizado con esta unidad, o debe devolver el producto a HomeRight (vea la garantía). Esta unidad sólo se debe usar con piezas autorizadas. En el caso de piezas que no cumplan con las especificaciones y que no tengan los dispositivos de seguridad indicados por el fabricante, el usuario asume todos los riesgos y las responsabilidades civiles.

## ⚠️ ADVERTENCIAS

- No opere la rociadora sin fluido.
- No deje la rociadora sucia ni permita que los materiales se sequen en la bomba.
- No rocíe materiales con textura que contengan partículas o fibras, como por ejemplo pinturas metálicas o pinturas igniretardantes.
- No utilice la rociadora en el exterior si está lloviendo.
- No use el producto por debajo del piso de la cochera ni por debajo de la rasante del suelo.

**Riesgo: Lesiones por inyección: la rociadora sin aire bombea los materiales a alta presión y puede penetrar en la piel y en los tejidos subyacentes, ocasionando lesiones graves o amputación.**

**No trate las lesiones por inyección como cortaduras simples, este tipo de lesiones pueden ocasionar la necesidad de amputación. Busque inmediatamente la asistencia de un médico.**

- Nunca dirija la rociadora hacia ninguna parte del cuerpo.
- Nunca permita que ninguna parte del cuerpo entre en contacto con el chorro del líquido.
- Nunca ponga las manos enfrente de la pistola. Los guantes no le protegerán contra lesiones por inyección.
- Nunca deje la rociadora desatendida o enchufada durante su limpieza.
- Nunca quite el protector de la punta durante el rociado.

**Riesgo: Explosión o incendio: Los vapores de la pintura y del solvente pueden explotar o inflamarse, causando daños materiales y/o lesiones graves.**

- Mantenga el área bien ventilada. Introduzca aire fresco y extraiga el usado para evitar que los humos y vapores se acumulen en el área de trabajo.
- No rocíe en áreas en las que haya fuentes de ignición, chispas de electricidad estática, llamas de pilotos, calentadores, objetos calientes, cigarrillos y llamas expuestas.
- Tenga equipo para extinguir incendios a la mano y en buen funcionamiento.
- Observe las instrucciones de seguridad y las advertencias de los fabricantes de los materiales.

**Riesgo: Vapores peligrosos: Los tintes, pinturas, solventes, insecticidas, barnices y otros materiales pueden ser peligrosos si se inhalan, provocando náuseas graves, pérdida del conocimiento o envenenamiento.**

- Use una mascarilla o respirador durante el rociado cuando exista la posibilidad de inhalar los vapores.
- Use protección en los ojos.

## INSTRUCCIONES PARA LA CONEXIÓN A TIERRA

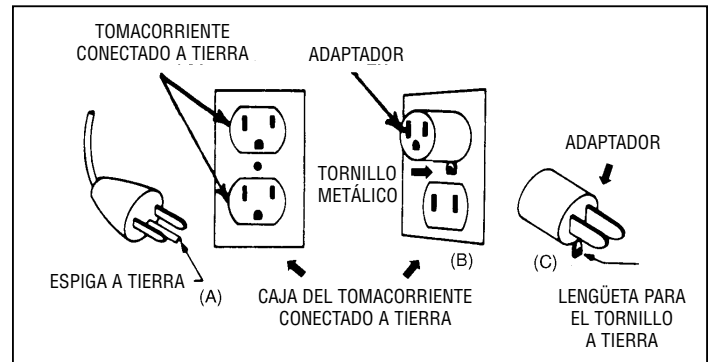
La rociadora sin aire se debe conectar a tierra. En el caso de que ocurra un cortocircuito eléctrico, la conexión a tierra reduce el riesgo de descargas eléctricas proporcionando un alambre de escape para la corriente eléctrica. Este producto está equipado con un cordón eléctrico que cuenta con un alambre de conexión a tierra y con un enchufe de conexión a tierra apropiados. El enchufe se debe conectar en un tomacorriente adecuadamente instalado y conectado a tierra de acuerdo con todos los códigos y reglamentos locales.

**PELIGRO: El uso inadecuado del enchufe con conexión a tierra puede dar como resultado el riesgo de una descarga eléctrica.**

Si es necesario reparar o reemplazar el cordón eléctrico o el enchufe, no conecte el alambre de conexión a tierra en ninguna de las terminales de pata plana. El alambre con aislamiento que tiene una superficie exterior verde, con o sin franjas amarillas, es el alambre de conexión a tierra.

Consulte con un electricista o agente de servicio calificado si no entiende completamente las instrucciones para la conexión a tierra, o si no tiene la seguridad de que el producto esté adecuadamente conectado a tierra. No modifique el enchufe que se proporciona; si no entra en el tomacorriente, pida a un electricista calificado que instale un tomacorriente adecuado.

Este producto debe usarse en un circuito normal de 120 voltios, y tiene un enchufe de conexión a tierra similar al que se ilustra en el dibujo A. Se puede utilizar un adaptador temporal, similar al adaptador que se ilustra en los dibujos B y C, para conectar el enchufe a un receptáculo bipolar, como se muestra en el dibujo B, si no hay disponible un tomacorriente adecuadamente conectado a tierra. El adaptador temporal sólo se debe usar hasta que un electricista calificado instale un tomacorriente adecuadamente conectado a tierra (dibujo A). La lengüeta, pata o dispositivo similar rígido de color verde que se extiende del adaptador se debe conectar a una tierra permanente, como por ejemplo a la cubierta de una caja de salida adecuadamente conectada a tierra. Siempre que se use el adaptador, debe fijarse en su lugar con un tornillo metálico.



### Extensiones eléctricas

Use sólo una extensión de tres alambres que tenga un enchufe de conexión a tierra con tres patas y un receptáculo de tres entradas que acepte el enchufe. Asegúrese de que la extensión esté aprobada por UL/ETL y se encuentre en buenas condiciones. Cuando utilice una extensión, asegúrese de usar uno que tenga la resistencia suficiente para la corriente que le va a aplicar. Para cables cuya longitud sea menor de 15.24 m (50 pies) use calibre #18 AWG o mayor; para cables con longitudes mayores de 15.24 m (50 pies), use calibre #16 AWG. Si tiene dudas use calibres mayores. Cuanto más pequeño sea el calibre, más pesado será el cable. Un cable de calibre insuficiente causará una caída del voltaje de la línea, ocasionando pérdida de potencia y posiblemente daños al producto.

## ALMACENAMIENTO

Asegúrese de que la unidad esté limpia y seca antes de almacenarla. Almacénala en un lugar seco. El cordón eléctrico no debe estar plegado durante el almacenamiento para evitar que se dañe.

# Rociadores de pintura modelos 100 y 120 - Folleto de instrucciones

## PRIMERO PRACTIQUE

Practique rociando agua sobre papel periódico o cartón. Esto le proporcionará una idea de la rociadora y de todas sus características. Siga las instrucciones para ajustar el patrón de rociado adecuado.

1. Verifique lo siguiente: Vea las figura A.
  - a. El conjunto de la válvula atomizadora se encuentra en el cartucho.
  - b. La boquilla de rociado está firmemente atornillada.
  - c. El tubo de captación con el filtro está introducido ajustadamente en el puerto del cilindro alto de la cubierta de la bomba.
2. Llene el recipiente con agua.
3. Enchufe la rociadora.
4. Presione el gatillo. Permita que transcurran unos segundos para que la bomba rocíe el material.
5. Al rociar, note la diferencia en el volumen y el patrón de rociado mientras ajusta la perilla de control. Ajuste la perilla de control hasta obtener el mejor patrón de rociado posible.

**Nota:** La mejor distancia para rociar es de 25.4 a 30.5 cm (10" a 12"). Si la distancia es mayor se puede ocasionar un rociado excesivo, y si es menor se puede ocasionar una acumulación excesiva de pintura. Vea las figura B.

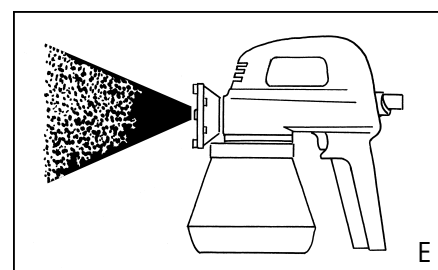
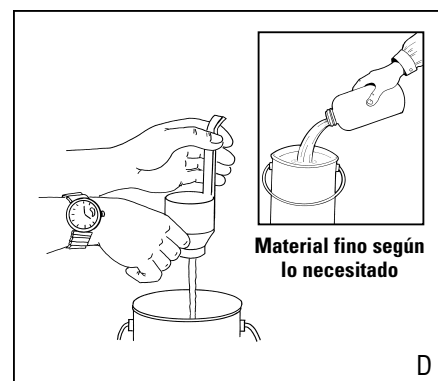
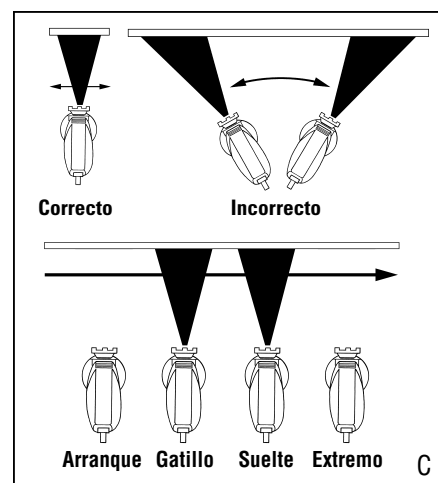
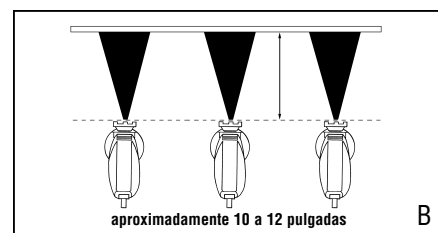
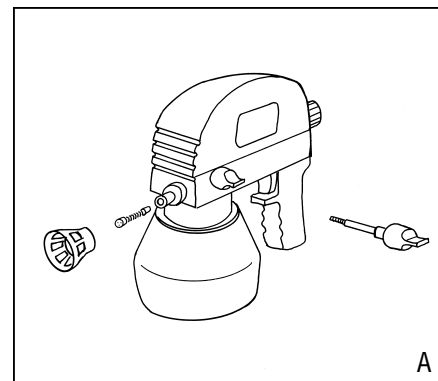
6. Mantenga la muñeca rígida. No flexione la muñeca al principio o al final de una pasada. No interrumpa el movimiento de la unidad durante la rociada. La trayectoria de la rociadora debe sobrepasar el área que es está pintando, y el flujo de la pintura se debe activar y desactivar conforme la rociadora entra y sale del área de rociado. Vea las figura C.

Si se interrumpe el movimiento de la rociadora o se cambia a otro patrón de rociado durante la aplicación de la pintura, se producirán acumulaciones grandes en los bordes de la pasada.

## MATERIALES ADELGAZANTES

Pour que le pulvérisateur fonctionne correctement, il est important que les produits soient suffisamment dilués pour être pulvérisés. Diluez la peinture en ajoutant le produit approprié, recommandé par le fabricant. Pour les peintures au latex, utilisez un additif lubrifiant ou de l'eau. L'eau facilite l'atomisation de la peinture mais un additif lubrifiant tel que le Floetrol (marque de commerce) contribue à prévenir l'usure et le grippage éventuel du piston. En cas de grippage du piston, ajoutez un lubrifiant.

Ci-dessous, se trouve un tableau de dilution. Pour certains produits, utilisez le godet viscosimètre inclus (Figure D) pour déterminer la dilution. Remplissez le godet de peinture et calculez son temps d'écoulement à comparer au tableau. Compte tenu que les produits diffèrent d'une marque à l'autre, ce tableau ne peut servir que de point de départ. La consistance idéale doit être évaluée en fonction de la forme du jet. Voir Figure E.



Materiales a base de agua	Materiales a base de aceite
Pintura de látex .....diluya de 10 a 15 %	Pintura .....De 15 a 25 segundos
Pintura acrílica .....diluya de 10 a 15 %	Imprimador .....De 15 a 25 segundos
Imprimador .....diluya de 10 a 15 %	Tinte .....use como está, no se requiere diluir
Tinte .....diluya de 10 a 15 %	Sellador .....use como está, no se requiere diluir
Poliuretano .....use como está, no se requiere diluir	Esmalte .....De 25 a 30 segundos
Impermeabilizantes .....use como está, no se requiere diluir	Pinturas inhibidoras de la corrosión .....use como está, no se requiere diluir
Insecticidas .....use como está, no se requiere diluir	Poliuretano .....use como está, no se requiere diluir
Pesticidas .....use como está, no se requiere diluir	Barnices .....De 16 a 20 segundos

## Boquilla de rociado

Escoja la boquilla de rociado correcta para el material que está usando. Cuando use materiales delgados (tintes y selladores), use la boquilla más chica (0.6 mm). Para pinturas de látex y otros materiales muy densos use la boquilla de 0.8 mm. Asegúrese de que las boquillas de rociado estén limpias y no tapadas para que el rociador funcione adecuadamente.

## Notas:

1. Es posible que se requiera diluir aún más la pintura cuando se utiliza un tubo de succión y/o la extensión flexible de rociado.
2. Asegúrese que el tubo de succión esté firmemente introducido en el puerto de correcto.
3. Adelgace el material hasta lograr la viscosidad correcta.
4. Use la punta de rociado adecuada para el material que está usando.
5. Inspeccione la punta de rociado y la válvula atomizadora para detectar signos de desgaste.
6. Siempre limpie y lubrique completamente la rociadora antes de usarla.

**Cuando se escuche un zumbido bajo, generalmente significa que el pistón se atascó. Deje de presionar el gatillo de inmediato, o el motor podría sufrir daños.**

## Sugerencias para pintar

1. La pintura y los tintes que han estado almacenados deben colarse antes de su uso.
2. Revuelva lentamente la pintura, no la agite para evitar la formación de burbujas de aire.
3. Si va a utilizar varios galones, mézclelos para obtener un color uniforme.

# Rociadores de pintura modelos 100 y 120 - Folleto de instrucciones

## INSTRUCCIONES DE ROCIADO

1. Se deben usar protectores respiratorios, protectores en los ojos, guantes y ropa protectora adecuados.
2. Comience a rociar, ajuste la perilla de control hasta obtener el mejor patrón de rociado, continúe rociando en periódico o cartón.

Un patrón de rociado con exceso de pintura en el centro indica que la presión es muy baja (figura F1). Aumente la presión girando la perilla de control hacia la izquierda. La pintura debe esparcirse en forma uniforme sobre la superficie. Vea las figura F2.

3. Si el patrón de rociado no es correcto, cambie la boquilla.
4. Si el patrón de rociado está aún muy denso en el centro, es posible que se necesite diluir el material.
5. Si aún así el patrón de rociado no es correcto, desmonte la boquilla de rociado e inspeccione el conjunto de la válvula atomizadora. Si la válvula está excesivamente desgastada (normalmente presenta marcas de raspaduras alrededor de su parte externa) reemplace el conjunto de la válvula atomizadora.
6. Si aún así no logra el patrón de rociado correcto, es posible que se requiera la limpieza minuciosa de la boquilla, del conjunto de la válvula atomizadora y del conjunto de la bomba. Para lograr un rociado correcto, se debe limpiar el conjunto después de la aplicación de entre 5 y 9 galones de pintura. Después de la limpieza vuelva a montar las piezas.
7. Coloque la rociadora de 25.4 a 30.5 cm (10 a 12 pulgadas) de distancia de la superficie que se va a pintar. Mantenga la rociadora paralela al piso, sin apuntarla hacia arriba ni hacia abajo. Vea las figura G.
8. Empalme cada pasada aproximadamente 1/3 del patrón de rociado.
9. Para rociar esquinas internas, rocíe primero las paredes o las superficies adyacentes. El exceso de rocío pintará la esquina.
10. Al rociar una esquina exterior, apunte la boquilla de la rociadora hacia la superficie. Esto evitará que la pintura sea rociada más allá de la esquina y hasta superficies que usted no desea pintar.

## NOTA:

- NO SE RECOMIENDA INCLINAR LA ROCIADORA SIN AIRE
- PARA EVITAR CORDONES Y CORRIMIENTOS NO ACELERE NI DESACELERE EL MOVIMIENTO DE LA ROCIADORA.

**Precaución:** No tuerza el cordón eléctrico, asegúrese de que no haya objetos pesados sobre el cordón eléctrico. Mantenga el cordón eléctrico alejado del calor y de objetos filosos. Asegúrese de que el cordón eléctrico no se encuentre en un área transitada para evitar que las personas se tropiecen con él. No use el cordón si está dañado.

## IMPORTANTE

Si escucha un sonido bajo y/u obtiene un patrón irregular de rociado, deje de rociar y desconecte la unidad de la fuente eléctrica. Limpie minuciosamente el rociador, esto evitará el sobrecalentamiento del motor y el consecuente daño del rociador. (Consulte las instrucciones de limpieza.)

## Nota:

- Si deja de rociar durante 30 minutos o más, vuelva a probar el patrón de rociado sobre un periódico o un cartón. Si no puede ajustar adecuadamente el patrón de pintura, posiblemente se deba a que ésta haya comenzado a secarse. Si esto sucede, es el momento de limpiar la rociadora (vea las instrucciones de limpieza).
- Mantenga limpio el orificio de ventilación de la cubierta de la bomba. Si el material se seca y tapa el orificio, la rociadora no funcionará adecuadamente.

## USO DEL TUBO DE SUCCIÓN CON LOS ROCIADORES DE PINTURA 100/120.

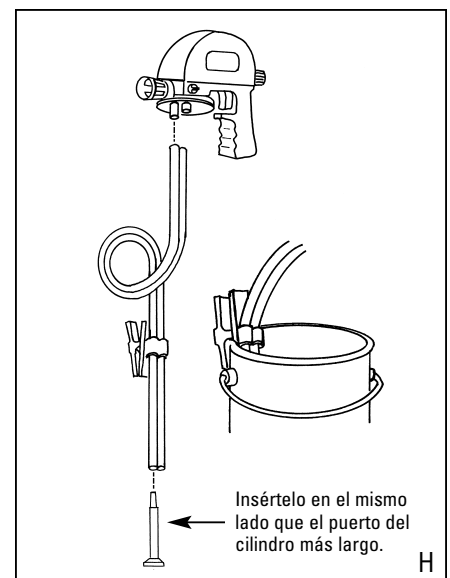
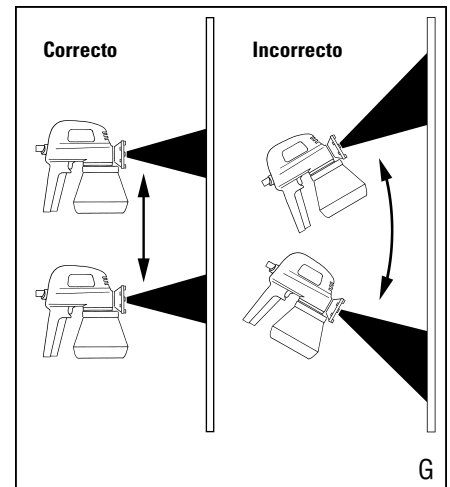
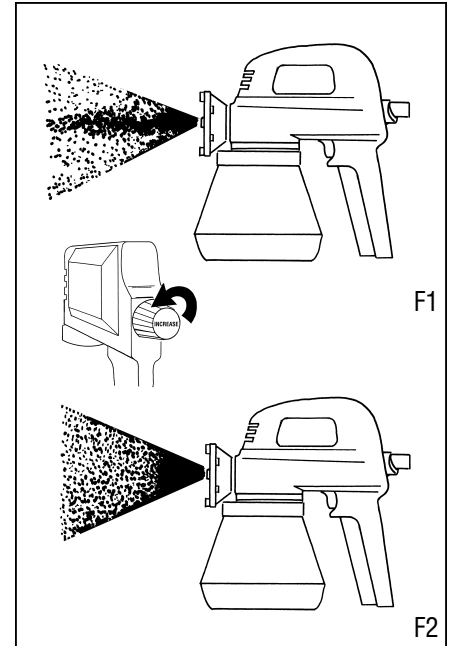
1. Separe el envase y tubo colector con filtro del rociador.
2. Deslice el tubo doble en los dos puertos de entrada abiertos del cilindro del rociador.
3. Siga el tubo hacia abajo, desde el puerto del cilindro más largo, introduzca el tubo captador con el filtro en ese extremo del tubo de plástico.
4. Sumerja el tubo en el material y asegúrelo al costado del envase por medio de la abrazadera de retén.

**Nota:** Para reducir el tiempo en que el rociador funciona sin material, manténgalo bajo el nivel de líquido al cebar el rociador; esto acelerará la entrada del material a través del tubo. Es posible que sea necesario diluir más los materiales si el rociador no se ceba.

**Nota:** El tiempo normal de cebado es de 1 minuto, durante el cual el material fluye del envase al rociador. Si se demora más de 2 minutos, deje de cebar y limpie el rociador. Es posible que necesite lubricar el rociador (vea las instrucciones de limpieza).

## Limpieza del tubo de succión

1. Para limpiar el rociador, haga correr agua o diluyente a través del tubo de succión hasta que éste quede destapado.
2. Desarme los conectores de ambos extremos del tubo de succión antes de que se seque el material residual.
3. Limpie minuciosamente el adaptador, el tubo colector y el filtro.





# Rociadores de pintura modelos 100 y 120 - Folleto de instrucciones

## USO DE LA EXTENSIÓN FLEXIBLE (ACCESORIO OPCIONAL PARA EL ROCIADOR DE PINTURA 100)

La extensión flexible se puede doblar en cualquier ángulo para rociar fácilmente pisos, cielo raso, salientes y áreas de difícil acceso. El uso de la extensión flexible evita la necesidad de inclinar el rociador.

Nota: No se recomienda inclinar el rociador puesto que pueden producirse fugas de material.

1. Suelte la boquilla de rociado girándola hacia la izquierda. Separe la válvula del atomizador del rociador y verifique que no presente desgaste. El conjunto de la válvula del atomizador debe permanecer en el cartucho.
2. Conecte el extremo de la extensión flexible en el rociador.
3. Atornille la boquilla del rociador en la extensión flexible, dejando la válvula del atomizador de la extensión en su lugar. Vea las figura I.
4. Doble la extensión flexible ajustable a la posición requerida para pintar, ya sea hacia arriba, abajo o hacia los costados. Vea las figura J.

## Limpieza de la extensión flexible

1. Para limpiar la extensión flexible, rocíe agua o diluyente a través del rociador hasta que quede limpio.
2. Desarme la boquilla y la válvula del atomizador para terminar la limpieza.
3. Si está utilizando el tubo de succión, necesitará cubrir los materiales para evitar que se les forme una película o que se sequen.

Nota: Antes de volver a pintar, practique primero para ajustar el patrón de rociado.

4. Si está utilizando un envase de pintura, vacíe el material restante. Llene el recipiente aproximadamente hasta la mitad con la solución de limpieza apropiada. Para látex, utilice agua tibia con jabón; para pintura a base de aceite, utilice un diluyente recomendado por el fabricante de la pintura.

## LIMPIEZA A CORTO PLAZO

Utilice estas instrucciones cuando no vaya a rociar durante 30 minutos o más, pero va a continuar con el proyecto.

1. Desenchufe el cordón eléctrico. Retire la carcasa del cilindro y limpie el pistón, el cilindro, la válvula del atomizador y la boquilla.
2. Antes de reanudar el proyecto, practique primero y ajuste el patrón de rociado.

## LIMPIEZA A LARGO PLAZO

Si terminó con el proyecto o no va a usar la rociadora al siguiente día, debe seguir estas instrucciones para limpiarla correctamente. Nunca almacene la rociadora durante más de una noche sin limpiarla. **La limpieza inadecuada de la rociadora causará daños.**

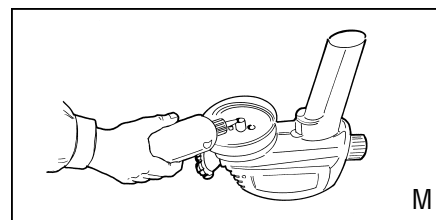
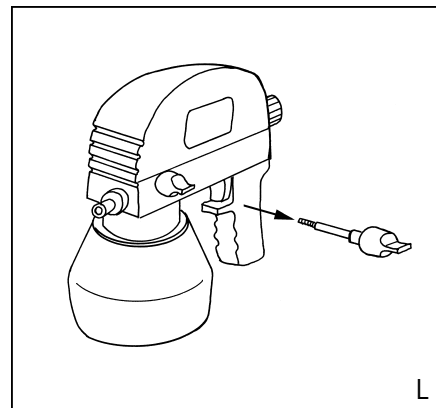
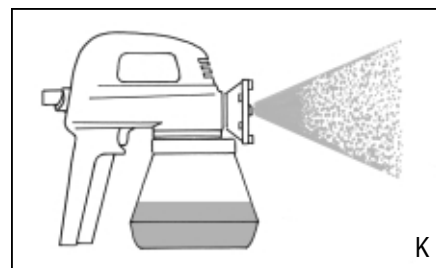
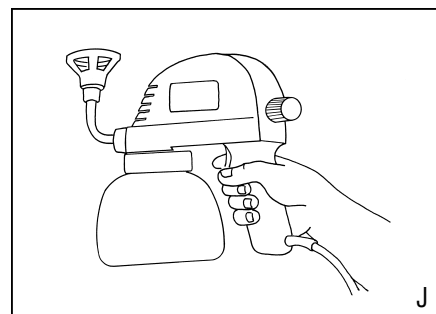
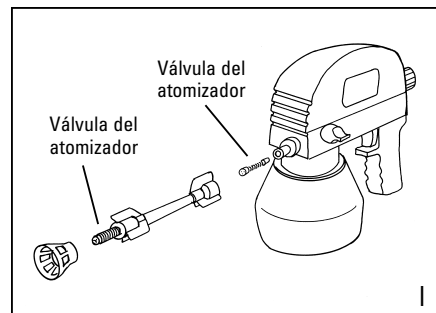
1. Desconecte la rociadora.
2. Vacíe el material remanente en el recipiente de un cuarto de galón. Llénelo aproximadamente hasta la mitad con la solución de limpieza apropiada; para látex use agua jabonosa caliente; para pinturas a base de aceite utilice el solvente que recomiende el fabricante del material.
3. Conecte la rociadora.
4. Accione el atomizador hasta que la solución salga transparente. Vea las figura K.
5. Quite el recipiente y deseche adecuadamente la solución de limpieza.

## Limpieza de la carcasa de la bomba

1. Gire la perilla hacia la izquierda para destornillarla. Quítela. Vea las figura L.
2. Tire hacia abajo y hacia adelante de la parte frontal del rociador para retirar la carcasa del cartucho.
3. Saque todas las piezas y límpielas con una solución apropiada. Lubrique todas las piezas móviles con WD-40 o cualquier aceite delgado.

## Armado:

1. Vuelva a insertar el conjunto de la bomba del cilindro en el rociador. Ponga la cubierta en la carcasa. Inserte la perilla y apriétela.
2. Invierta el rociador, ponga una pequeña cantidad de lubricante delgado, como WD-40, en el orificio de succión y presione levemente el gatillo. Esto evita que se oxiden el pistón y el cilindro.
3. Vuelva a montar el tubo de captación y el recipiente. Introduzca el tubo de captación para evitar fugas de aire. Vea las figura M.



# Pulvérisateur à peinture, modèles 100 et 120 - Livret d'instructions

Tout comme les autres outils électriques, les pulvérisateurs à haute pression sont sécuritaires lorsqu'ils sont utilisés correctement, mais peuvent être dangereux s'ils sont mal utilisés. Il incombe au propriétaire de lire toutes les directives, les avertissements et les consignes de sécurité fournis avant de faire fonctionner ou d'utiliser l'appareil. Si ces précautions ne sont pas prises, des blessures corporelles, des dommages matériels, voire la mort pourraient en résulter.

Ne tentez jamais de réparer (ou de démonter) l'appareil vous-même. Les réparations doivent être effectuées par un atelier professionnel familier avec l'appareil ou par HomeRight en leur retournant l'appareil (reportez-vous à la garantie). Cet appareil ne doit être utilisé qu'avec des pièces approuvées. L'utilisateur assume tous les risques et les responsabilités découlant de l'utilisation de pièces qui ne répondent pas aux spécifications et aux dispositifs de sécurité du fabricant.

## AVERTISSEMENTS

- N'utilisez jamais le pulvérisateur s'il est vide.
- Nettoyez toujours le pulvérisateur après usage et ne laissez aucun produit sécher dans la pompe.
- Ne pulvérisez pas des produits texturés contenant des particules ou des fibres comme des peintures métallisées et des peintures ignifuges.
- Ne laissez jamais le pulvérisateur à l'extérieur s'il pleut.
- N'utilisez pas le pulvérisateur à un niveau inférieur à un plancher de garage ou au niveau du sol.

**Danger : Blessures par perforation - Le pulvérisateur à haute pression pompe les produits à haute pression et peut perforer la peau et les tissus sous-jacents, ce qui peut entraîner des blessures graves, voire l'amputation.**

**Ne traitez pas les blessures par perforation comme de simples coupures. Les blessures par perforation peuvent entraîner l'amputation d'un membre. Consultez immédiatement un médecin.**

- Ne pointez jamais le pulvérisateur vers une partie du corps.
- Ne laissez jamais une quelconque partie du corps venir en contact avec le jet de liquide.
- Ne mettez jamais les mains devant le pulvérisateur. Les gants ne peuvent prévenir les blessures par perforation.
- Ne laissez jamais le pulvérisateur sans surveillance ou branché durant le nettoyage.
- N'enlevez jamais le protège-embout lors de la pulvérisation.

**Danger : Explosion ou incendie - Les émanations de solvants ou de teintures peuvent exploser ou s'enflammer et causer des dommages à la propriété ou des blessures graves.**

- Gardez l'aire bien aérée. Évacuez l'air vicié et faites pénétrer de l'air frais dans la pièce pour éviter que les émanations ne s'y accumulent.
- Le pulvérisateur ne doit pas être utilisé en présence de sources d'inflammation, d'étincelles d'électricité statique, de veilleuses, de radiateurs, d'objets chauds, de cigarettes et de flammes nues.
- Ayez toujours un extincteur en état de fonctionnement à portée de la main.
- Suivez les consignes de sécurité et les avertissements émis par les fabricants des produits.

**Danger : Émanations dangereuses - Les teintures, peintures, solvants, insecticides, vernis et autres produits similaires peuvent être dangereux s'ils sont inhalés. Ils peuvent causer des nausées, des évanouissements et des empoisonnements graves.**

- Utilisez un masque ou un respirateur lors de la pulvérisation lorsqu'il y a un risque d'inhalation des vapeurs nocives.
- Utilisez des lunettes de protection.

## DIRECTIVES DE MISE À LA TERRE

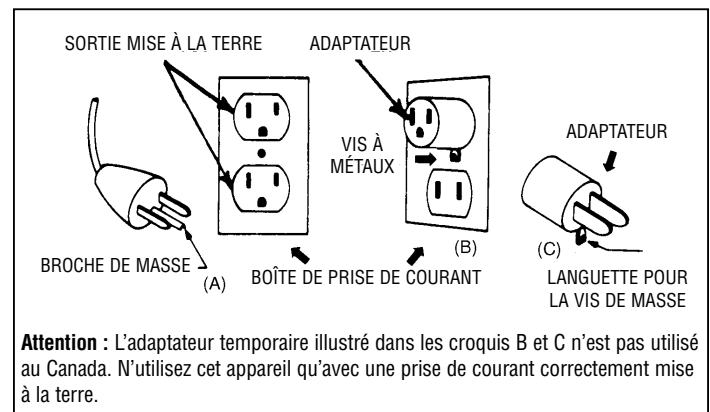
Cet appareil à haute pression doit être mis à la terre. Dans l'éventualité d'un court-circuit, la mise à la terre réduit les risques de choc électrique en évacuant le courant dans un fil. Cet appareil est muni d'un cordon électrique comportant un fil de mise à la terre et une fiche de mise à la terre. La fiche doit être branchée dans une prise correctement installée et mise à la terre selon les ordonnances et les codes locaux.

**AVERTISSEMENT - Une mise à la terre inadéquate peut provoquer un choc électrique.**

Si vous devez réparer ou remplacer le cordon ou la fiche, ne branchez pas le fil de mise à la terre à l'une des lames de contact plates. Le fil isolé dont la gaine est verte, avec ou sans bandes jaunes, est le fil de mise à la terre.

Consultez un électricien qualifié ou un expert en réparations si les directives de mise à la terre ne sont pas entièrement comprises, ou si des doutes subsistent quant à la méthode adéquate de mise à la terre du produit. Ne modifiez jamais la fiche fournie si elle ne peut être insérée dans la prise. Confiez la tâche d'installer une prise adéquate à un électricien qualifié.

Ce produit est conçu pour être utilisé avec un circuit de 120 volts normal. Il comporte une fiche de mise à la terre qui ressemble à celle du croquis A. Un adaptateur temporaire, qui s'apparente à celui des croquis B et C, peut être utilisé pour brancher la fiche dans la prise bipolaire, comme le démontre le croquis B, si une prise correctement mise à la terre n'est pas disponible. L'adaptateur temporaire ne doit être utilisé qu'avec une prise correctement mise à la terre (croquis A) et il doit être installé par un électricien qualifié. La languette rigide, de couleur verte, ou la partie en saillie de l'adaptateur doit être branchée à une mise à la terre permanente comme un couvercle de prise correctement mise à la terre. Lorsque l'adaptateur est utilisé, il doit être maintenu en place à l'aide d'une vis métallique.



## Rallonges

Utilisez une rallonge à trois fils dotée d'une fiche de mise à la terre à trois lames ainsi qu'une prise à trois fentes compatible avec la fiche. Assurez-vous que la rallonge est homologuée UL/ETL/CSA et qu'elle est en bon état. Lorsque vous utilisez une rallonge, assurez-vous que le câble est suffisamment gros - pour des distances de moins de 15 mètres (50 pieds) utilisez un câble de calibre 18, et pour des distances de plus de 15 mètres (50 pieds), utilisez un câble de calibre 16. En cas de doute, utilisez un câble du calibre inférieur. La grosseur du câble est inversement proportionnelle au calibre. Un cordon sous-dimensionné entraînera une chute de tension en série ainsi que des pertes de courant et un endommagement éventuel de l'appareil.

## ENTREPOSAGE

Assurez-vous que l'appareil est propre et sec avant de le ranger. Entrez-le dans un endroit sec. Le cordon électrique ne doit pas être pincé durant l'entreposage de manière à ne pas l'endommager.

# Pulvérisateur à peinture, modèles 100 et 120 - Livret d'instructions

## ENTRAÎNEZ-VOUS D'ABORD À UTILISER L'APPAREIL

Entraînez-vous à pulvériser de l'eau sur un journal ou du carton. Cela vous permettra de vous familiariser avec le pulvérisateur et toutes ses fonctions. Suivez les directives de réglage pour une répartition adéquate de la pulvérisation.

- Procédez aux vérifications suivantes : Reportez-vous aux illustrations A.
  - La soupape de l'atomiseur doit se trouver dans la cartouche.
  - La buse doit être fermement vissée.
  - Le tube d'aspiration et le filtre doivent être fermement insérés dans l'orifice allongé du cylindre du corps de la pompe.
- Remplissez le réservoir d'eau.
- Branchez le pulvérisateur.
- Appuyez sur la gâchette. Attendez quelques secondes pour que la pompe commence à pulvériser l'eau.
- Pendant que vous pulvérisiez l'eau, remarquez la variation du volume d'eau pulvérisé et de la répartition du jet lorsque vous ajustez le bouton de réglage. Ajustez le bouton de réglage jusqu'à ce que vous obteniez la meilleure répartition de jet possible.

**Remarque :** La distance idéale de pulvérisation est comprise entre 25,4 cm et 30,5 cm (10 po et 12 po). Une distance trop grande peut causer une surpulvérisation et une distance trop courte peut causer une accumulation excessive de peinture. Reportez-vous aux illustrations B.

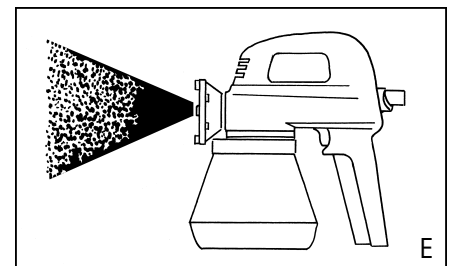
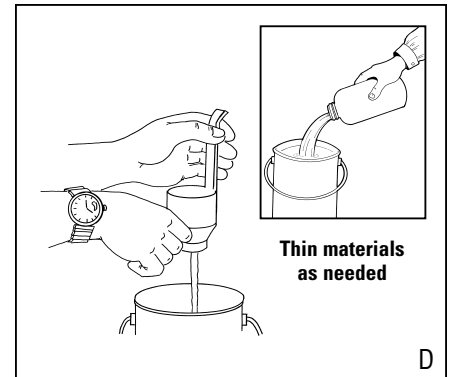
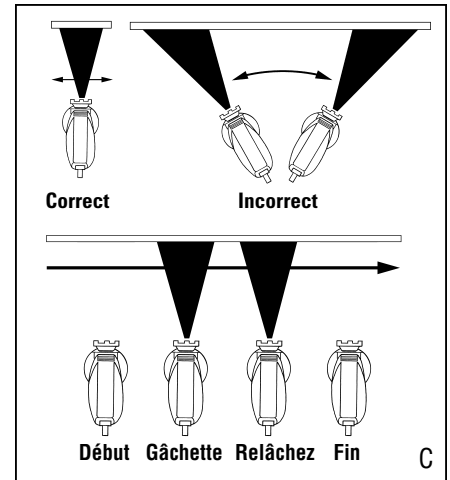
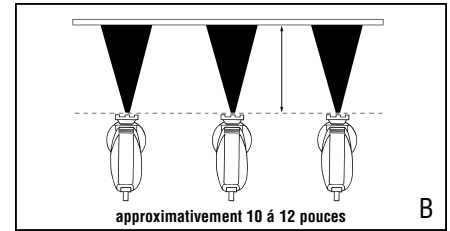
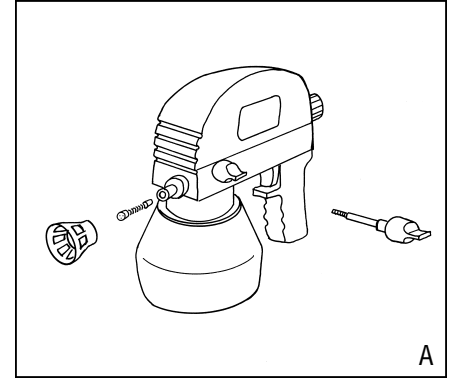
- Gardez votre poignet rigide lors de l'application du produit. Ne le pliez pas au début et à la fin d'une passe. Assurez-vous d'appliquer le produit dans un mouvement continu. La trajectoire de pulvérisation doit s'étendre au-delà de la zone à couvrir et le produit doit être distribué par intermittence lorsque le pulvérisateur arrive dans la zone de pulvérisation et la quitte. Reportez-vous aux illustrations C.

Si vous interrompez l'application du produit ou si vous entamez une nouvelle séquence de pulvérisation pendant la projection de la peinture, cela causera une importante accumulation de produit sur les bords de la passe.

## PRODUITS DE DILUTION

Pour que le pulvérisateur fonctionne correctement, il est important que les produits soient suffisamment dilués pour être pulvérisés. Diluez la peinture en ajoutant le produit approprié, recommandé par le fabricant. Pour les peintures au latex, utilisez un additif lubrifiant ou de l'eau. L'eau facilite l'atomisation de la peinture mais un additif lubrifiant tel que le Floetrol (marque de commerce) contribue à prévenir l'usure et le grippage éventuel du piston. En cas de grippage du piston, ajoutez un lubrifiant.

Ci-dessous, se trouve un tableau de dilution. Pour certains produits, utilisez le godet viscosimètre inclus (Figure D) pour déterminer la dilution. Remplissez le godet de peinture et calculez son temps d'écoulement à comparer au tableau. Compte tenu que les produits diffèrent d'une marque à l'autre, ce tableau ne peut servir que de point de départ. La consistance idéale doit être évaluée en fonction de la forme du jet. Voir Figure E.



### Produits à base d'eau

Peinture au latex .....	diluer de 10 % à 15 %
Peinture acrylique .....	diluer de 10 % à 15 %
Apprêt .....	diluer de 10 % à 15 %
Teinture .....	diluer de 10 % à 15 %
Polyuréthane .....	utiliser tel quel, sans dilution
Imperméabilisant à l'eau .....	utiliser tel quel, sans dilution
Insecticide .....	utiliser tel quel, sans dilution
Pesticide .....	utiliser tel quel, sans dilution

### Produits à base d'huile

Peinture .....	de 15 à 25 secondes
Apprêt .....	de 15 à 25 secondes
Teinture .....	utiliser telle quelle, sans dilution
Imperméabilisant .....	utiliser tel quel, sans dilution
Email .....	de 25 à 30 secondes
Peinture anti-rouille .....	utiliser telle quelle, sans dilution
Polyuréthane .....	utiliser tel quel, sans dilution
Vernis .....	de 16 à 20 secondes

## Embout de pulvérisation

Choisissez l'embout adapté au produit pulvérisé. Pour les produits à faible viscosité (teintures et imperméabilisants), utilisez l'embout le plus fin (0,6 mm). Pour les peintures au latex et les produits à forte viscosité, utilisez l'embout de 0,8 mm. Assurez-vous que l'embout est propre et n'est pas obstrué pour que le pulvérisateur fonctionne correctement.

## Remarques :

- Une dilution additionnelle peut être nécessaire lors de l'utilisation du tube d'aspiration et/ou de la rallonge flexible de pulvérisation.
- Vérifiez que le tube d'aspiration est inséré étroitement dans l'orifice d'admission correct.
- Diluez le produit à la viscosité recommandée.
- Utilisez l'embout de pulvérisation convenant au produit utilisé.
- Assurez-vous que l'embout de pulvérisation et la soupape de l'atomiseur ne sont pas usés.
- Nettoyez et huilez toujours le pulvérisateur après chaque utilisation.

**Un bourdonnement sourd indique généralement que le piston est grippé, relâchez immédiatement la gâchette sans quoi le moteur pourrait s'endommager.**

## Conseils pour les travaux de peinture

- Passer les vieilles peintures ou teintures au tamis avant de les utiliser.
- Brassez lentement la peinture; ne secouez pas le contenant pour éviter la formation de bulles d'air.
- Si vous utilisez plusieurs pots d'une même peinture, mélangez-les ensemble pour obtenir une teinte uniforme.

# Pulvérisateur à peinture, modèles 100 et 120 - Livret d'instructions

## DIRECTIVES DE PULVÉRISATION

1. Portez un masque de protection, des lunettes, des gants et des vêtements de sécurité appropriés.
2. Commencez à pulvériser le produit, ajustez le bouton de réglage de manière à obtenir la meilleure répartition de pulvérisation possible et continuez d'utiliser le pulvérisateur sur des journaux ou du carton.

Si la répartition de la pulvérisation est plus importante au centre, cela signifie que la pression est insuffisante (illustration F1). Ajustez le bouton de réglage en le tournant dans le sens contraire des aiguilles d'une montre pour augmenter la pression. La peinture doit être répartie uniformément sur la surface. Reportez-vous aux illustrations F2.

3. Si la répartition de la pulvérisation est inadéquate, changez la buse.
4. Si le jet est encore trop dense au centre, il se peut que vous ayez à diluer le produit.
5. Si la répartition de la pulvérisation est toujours inadéquate, démontez la buse et vérifiez la soupape de l'atomiseur. Remplacez la soupape de l'atomiseur si elle est trop usée (si sa face extérieure est égratignée).
6. Si la répartition de la pulvérisation est toujours inadéquate, il peut être nécessaire de nettoyer complètement la buse, la soupape de l'atomiseur et la pompe. Pour que la pulvérisation soit adéquate, il peut être nécessaire de nettoyer l'appareil après avoir employé entre 19 et 34 litres (5 et 9 gallons) de peinture. Après le nettoyage, remontez les pièces.
7. Tenez le pulvérisateur à une distance comprise entre 25,4 cm et 30,5 cm (10 po et 12 po). Gardez le pulvérisateur parallèle au sol et ne le pointez pas vers le haut ou le bas. Reportez-vous aux illustrations G.
8. Chevauchez le tiers extérieur de la passe précédente.
9. Pour appliquer de la peinture à l'intérieur des coins, pulvérisez d'abord la peinture sur la surface ou les murs adjacents. Le dépassement de la peinture couvrira le coin.
10. Lorsque vous appliquez un produit sur un coin extérieur, pointez la buse du pulvérisateur vers la surface à couvrir. Cette précaution empêchera la pulvérisation de peinture au-delà du coin et sur des surfaces que vous ne désirez pas peindre.

## REMARQUE :

- IL N'EST PAS RECOMMANDÉ D'INCLINER LE PULVÉRISATEUR À HAUTE PRESSION.
- POUR ÉVITER LES COULURES, PULVÉRISEZ LE PRODUIT À UNE VITESSE CONSTANTE.

**Mise en garde :** Ne tortillez pas le cordon électrique et assurez-vous que des objets lourds ne reposent pas sur le cordon électrique. Gardez le cordon électrique éloigné des sources de chaleur et des objets pointus. Assurez-vous que le cordon ne se trouve pas dans un endroit passant de manière à ne pas faire trébucher quelqu'un. N'utilisez jamais un cordon endommagé.

## IMPORTANT

Si un bourdonnement sourd se fait entendre ou si le jet n'est pas uniforme, arrêtez immédiatement la pulvérisation et débranchez le cordon électrique. Nettoyez soigneusement le pulvérisateur afin d'empêcher le moteur de surchauffer et d'endommager le pulvérisateur. (Reportez-vous aux directives de nettoyage.)

## Remarque :

- Si vous interrompez la pulvérisation pendant 30 minutes ou plus, assurez-vous de nouveau que la répartition de la pulvérisation est adéquate en testant le pulvérisateur sur des journaux ou du carton. Si vous ne pouvez pas régler convenablement la répartition de la pulvérisation, il est possible que la peinture ait commencé à sécher. Si cela se produit, vous devez nettoyer le pulvérisateur. (Reportez-vous aux directives de nettoyage.)
- Assurez-vous que l'évent du corps de la pompe est propre. Si des produits séchent et obstruent l'ouverture, le pulvérisateur ne fonctionnera pas adéquatement.

## UTILISATION DE L'ENSEMBLE DE TUBE D'ASPIRATION AVEC LE PULVÉRISATEUR À PEINTURE, MODÈLES 100 ET 120

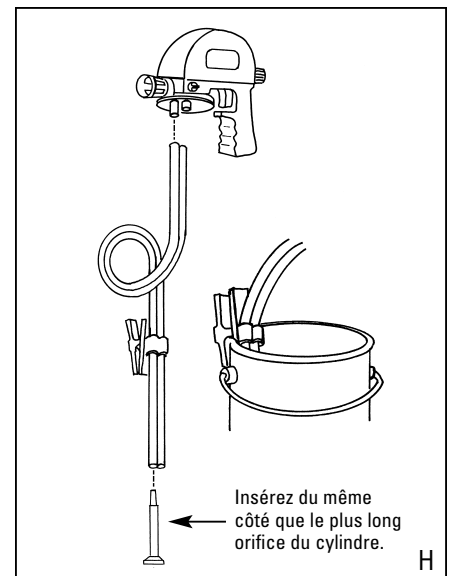
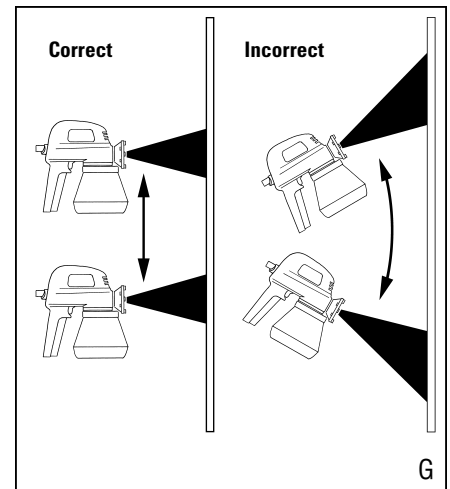
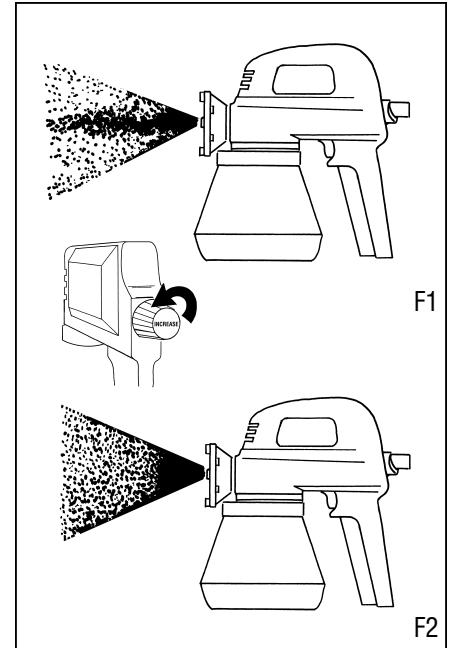
1. Séparez du pulvérisateur le contenant et le tube d'aspiration avec filtre.
2. Glissez le tube double sur les deux orifices ouverts du cylindre, sur le pulvérisateur.
3. Suivez le tube se trouvant sous le plus long orifice du cylindre et insérez le tube d'aspiration muni d'un filtre à l'extrémité du tube de plastique.
4. Plongez le tube dans le produit et fixez-le sur le côté du contenant à l'aide du collier de retenue.

Remarque : Pour réduire le temps pendant lequel le pulvérisateur fonctionne à sec, maintenez le pulvérisateur en dessous du niveau du liquide pendant son amorçage ; ceci accélérera la montée du produit dans le tube. S'il est impossible d'amorcer le pulvérisateur, il peut être nécessaire de diluer davantage le produit.

Remarque : La durée normale d'amorçage est d'une minute pour que le produit passe du contenant au pulvérisateur. Si l'amorçage demande plus de 2 minutes, arrêtez le pulvérisateur. Il peut être nécessaire de le lubrifier (voir les directives de nettoyage).

## Nettoyage du tube d'aspiration

1. Pour nettoyer le pulvérisateur, faites passer de l'eau ou du solvant par le tube d'aspiration, jusqu'à ce que le liquide soit clair.
2. Désassemblez les raccords aux deux extrémités du tube d'aspiration avant que le produit éventuellement restant sèche.
3. Nettoyez soigneusement le raccord adaptateur, le tube d'aspiration et le filtre.



# Pulvérisateur à peinture, modèles 100 et 120 - Livret d'instructions

## UTILISATION DE LA RALLONGE FLEXIBLE (ACCESSOIRE OPTIONNEL POUR LE PULVÉRISATEUR DE PEINTURE, MODÈLE 100)

Il est possible de courber à n'importe quel angle la rallonge flexible pour faciliter la pulvérisation sur les sols, plafonds, parties en surplomb ou endroits difficiles à atteindre. L'utilisation de la rallonge flexible permet d'éviter l'inclinaison du pulvérisateur.

Remarque : Il est déconseillé d'incliner le pulvérisateur car cela pourrait provoquer des fuites.

1. Dégagez l'embout de pulvérisation en le tournant dans le sens contraire des aiguilles d'une montre. Enlevez le clapet d'atomiseur du pulvérisateur et vérifiez son usure. L'ensemble de clapet d'atomiseur doit rester dans la cartouche.
2. Fixez l'extrémité de la rallonge flexible sur le pulvérisateur.
3. Vissez la buse de pulvérisation sur la rallonge flexible, en laissant le clapet d'atomiseur dans la rallonge. Reportez-vous aux illustration I.
4. Courbez la rallonge flexible réglable à la position nécessaire pour peindre : vers le haut, vers le bas ou latéralement. Reportez-vous aux illustration J.

### Nettoyage de la rallonge flexible

1. Pour nettoyer la rallonge flexible, faites passer de l'eau ou du solvant dans le pulvérisateur, jusqu'à ce que le liquide soit clair.
2. Désassemblez la buse et le clapet d'atomiseur pour finir le nettoyage.
3. Si vous utilisez le tube d'aspiration, vous devrez couvrir le produit pour éviter la formation d'un film et le séchage.

Remarque : Avant de continuer à utiliser le pulvérisateur, effectuez quelques essais et ajustez la répartition de la pulvérisation.

4. Si vous utilisez le contenant à peinture, videz tout produit restant. Remplissez le réservoir environ à moitié avec la solution nettoyante appropriée. Pour les produits au latex, utilisez de l'eau savonneuse tiède; pour les produits à l'huile, utilisez le solvant recommandé par le fabricant du produit.

### NETTOYAGE LORS D'ARRÊT TEMPORAIRE

Suivez ces directives si vous ne prévoyez pas d'utiliser le pulvérisateur pendant 30 minutes ou plus, mais que vous comptez poursuivre vos travaux après cet arrêt temporaire.

1. Débranchez le cordon électrique. Enlevez le logement du cylindre et nettoyez le piston, le cylindre, le clapet d'atomiseur et la buse.
2. Avant de continuer à utiliser le pulvérisateur, effectuez quelques essais et ajustez la répartition de la pulvérisation.

### NETTOYAGE LORS D'ARRÊT PROLONGÉ

Si vous avez terminé vos travaux de peinture ou si vous ne prévoyez pas d'utiliser le pulvérisateur le lendemain, vous devez suivre les directives de nettoyage ci-dessous. Ne rangez jamais le pulvérisateur plus d'une nuit sans le nettoyer. **Un pulvérisateur qui n'est pas nettoyé adéquatement peut causer des dommages.**

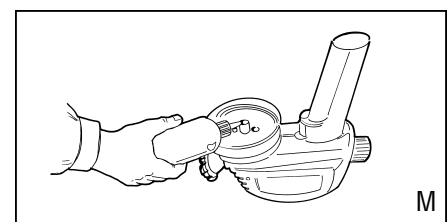
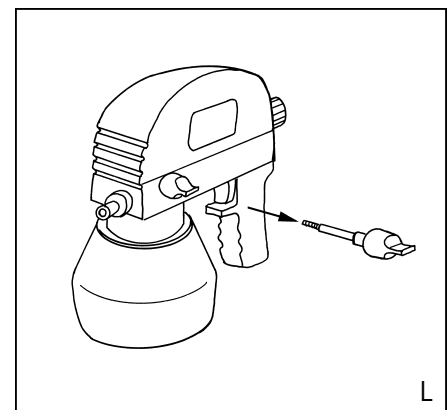
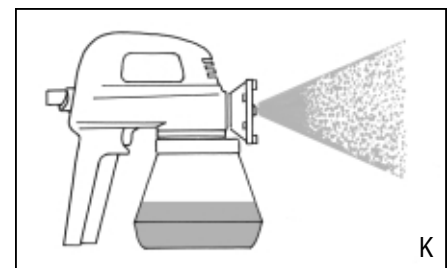
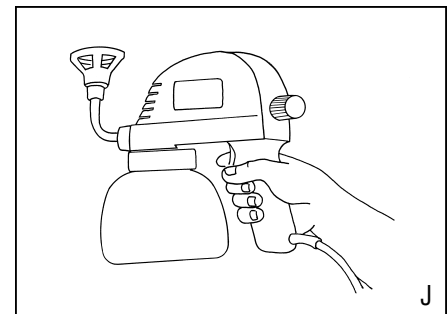
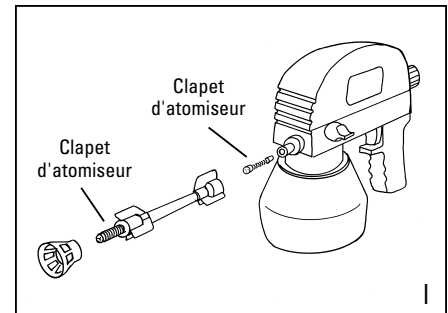
1. Débranchez le pulvérisateur.
2. Jetez tout résidu du produit se trouvant dans le réservoir de 0,95 litre (1 pinte). Remplissez le réservoir à environ la moitié de sa contenance avec une solution nettoyante appropriée. Pour les produits au latex, utilisez de l'eau savonneuse tiède; pour les produits à l'huile, utilisez le solvant recommandé par le fabricant du produit.
3. Branchez le pulvérisateur.
4. Appuyez sur la gâchette du pulvérisateur jusqu'à ce que le jet de solution soit clair. Reportez-vous aux illustration K.
5. Retirez le réservoir et jetez la solution nettoyante.

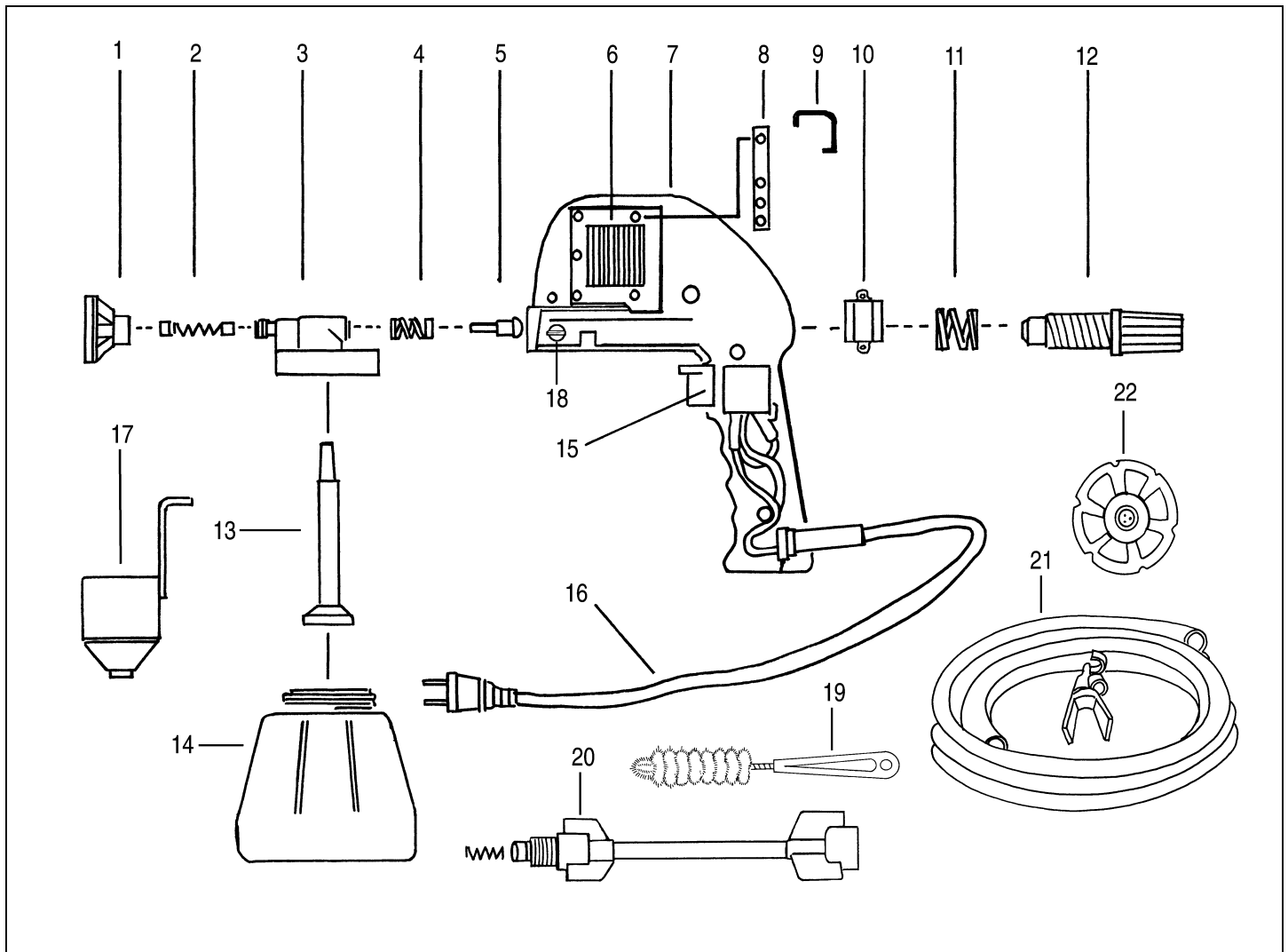
### Nettoyage du corps de la pompe :

1. Tournez le bouton à oreilles dans le sens contraire des aiguilles d'une montre pour le dévisser. Retirez-le. Reportez-vous aux illustration L.
2. Tirez vers le bas et vers l'avant sur l'avant du pulvérisateur pour retirer le logement de cartouche.
3. Retirez toutes les pièces et nettoyez-les soigneusement avec la solution appropriée. Lubrifiez toutes les pièces mobiles à l'aide d'une huile WD-40 ou de toute autre huile légère.

### Réassemblage :

1. Réinsérez la pompe du cylindre dans le pulvérisateur. Placez le couvercle sur le corps. Insérez la vis à oreilles et serrez-la.
2. Retournez le pulvérisateur; appliquez ensuite une mince couche d'huile légère, par exemple de l'huile WD-40, dans le trou d'aspiration puis appuyez momentanément sur la gâchette. Ceci empêche le piston et le cylindre de rouiller. Reportez-vous aux illustration M.





### Parts List

### Lista de piezas

### Liste de pièces

Item	Part No. Number	Description	Qty.	Pieza	Número de pieza	Descripción	Cant.	Article de référence	Description	Qté	
1	C816556	Spray Tip, Stain	1	1	C816556	Boquilla de rociado, mancha	1	1	C816556	Embout de pulvérisation, tache	1
2	C816548	Atomizer Valve	1	2	C816548	Válvula del atomizador	1	2	C816548	Clapet d'atomiseur	1
3	C816549	Cylinder Housing	1	3	C816549	Carcasa del cilindro	1	3	C816549	Logement de cylindre	1
4	C816550	Piston Spring	1	4	C816550	Resorte del pistón	1	4	C816550	Ressort de piston	1
5	C816551	Piston	1	5	C816551	Pistón	1	5	C816551	Piston	1
6	—	Electric Drive Unit	1	6	—	Eléctrica unidad de mecanismo impulsor	1	6	—	Unité électrique d'entraînement	1
7	—	Housing	1	7	—	Carcasa	1	7	—	Logement	1
8	—	Armature	1	8	—	Inducido	1	8	—	Induit	1
9	—	Plate Spring	1	9	—	Resorte de placa	1	9	—	Ressort de plat	1
10	—	Volumn Control Nut	1	10	—	Tuerca de control de volumen	1	10	—	Écrou de réglage de volume	1
11	—	Spring	1	11	—	Resorte	1	11	—	Ressort	1
12	—	Volumn Control Knob	1	12	—	Perilla de control de volumen	1	12	—	Bouton de réglage de volume	1
13	C816552	Suction Tube	1	13	C816552	Tubo de succión	1	13	C816552	Tube d'aspiration	1
14	C816553	Container - 1 qt	1	14	C816553	Recipiente - 1 cuarto	1	14	C816553	Réservoir - 0,95 l (1 pinte US)	1
15	—	Switch	1	15	—	Interruptor	1	15	—	Interrupteur	1
16	—	Cord	1	16	—	Cordón	1	16	—	Cordon	1
17	C816554	Viscosity Test Cup	1	17	C816554	Recipiente de prveba de viscosidad	1	17	C816554	Viscosimètre	1
18	C816555	Cylinder Locking Knob	1	18	C816555	Tornillo de bloqueo de la carcasa	1	18	C816555	Vis de verrouillage de logement	1
19	C816545	Cleaning Brush	1	19	C816545	Cepillo de limpieza	1	19	C816545	Brosse de nettoyage	1
20	C816557	Flexible Extension	1	20	C816557	Extensión flexible	1	20	C816557	Rallonge flexible	1
21	C816558	Suction Tube with Clamp	1	21	C816558	Tubo de succión con abrazadera	1	21	C816558	Tube d'aspiration avec collier	1
22	C816547	Spray Tip, Thick	1	22	C816547	Boquilla de rociado, densamente	1	22	C816547	Embout de pulvérisation, profondément	1
—	C805984	Powerhead (Complete Unit)	1	—	C805894	Pista de la potencia	1	—	C805894	Tétede puissance	1
23	C816559	Container - 1.5 qt	1	23	C816559	Recipiente - 1.5 cuartos	1	23	C816559	Réservoir - 1,42 l (1,5 pinte US)	1

If you cannot obtain parts and accessories at your local retail dealer, then call or write: HomeRight, 1661 94th Lane N.E., Minneapolis, Minnesota 55449-4324, Phone (763) 780-5115 or 1-800-264-5442, 8:00 a.m. to 5:00 p.m. CST.

Si usted no puede obtener partes y accesorios de su distribuidor local, por favor llámenos o escribanos a: HomeRight, 1661 94th Lane NE, MINNEAPOLIS, MN 55449-4324. Tel: (763) 780-5115. Horario comercial: De 8 de la mañana a 5 de la tarde, según la hora centro de los EE.UU.

Si vous avez du mal à vous procurer pièces ou accessoires chez votre détaillant habituel, veuillez nous écrire ou nous téléphoner: HomeRight, 1661 94th Lane N. E., Minneapolis, MN 55449-4324 États-Unis (763) 780-5115 8h à 17h, heure normale du centre.

## TROUBLE SHOOTING

Problem	Cause	Remedy
• Motor does not run	<ul style="list-style-type: none"> <li>• No current at motor</li> <li>• Loose electrical connection</li> <li>• Defective motor or switch</li> </ul>	<ul style="list-style-type: none"> <li>• Check wall outlet and extension cord</li> <li>• Call customer service</li> </ul>
• Motor makes muffled humming sound	<ul style="list-style-type: none"> <li>• Control knob is screwed in all the way</li> <li>• Seized piston</li> <li>• Plugged atomizer valve or spray nozzle</li> <li>• Atomizer valve assemble is not seated properly</li> </ul>	<ul style="list-style-type: none"> <li>• Adjust knob control</li> <li>• Remove piston and cartridge, clean (add lubricant to latex)</li> <li>• Clean holes in each, replace atomizer valve</li> <li>• Replace atomizer valve</li> </ul>
• Stain is spitting • Paint is spitting	<ul style="list-style-type: none"> <li>• Canister is low</li> <li>• Improper adjustment</li> <li>• Material is too thick</li> <li>• Spray nozzle is too large or worn out</li> <li>• Loose spray nozzle</li> <li>• Material has impurities</li> <li>• Paint has impurities</li> <li>• Worn atomizer valve</li> </ul>	<ul style="list-style-type: none"> <li>• Refill canister</li> <li>• Adjust control knob</li> <li>• Thin (add lubricant to latex)</li> <li>• Replace or use smaller nozzle</li> <li>• Tighten spray nozzle</li> <li>• Pour material through strainer</li> <li>• Pour paint through paint strainer</li> <li>• Replace atomizer valve</li> </ul>
• Fogging excessively	<ul style="list-style-type: none"> <li>• Spraying too far from surface</li> <li>• Material too thick</li> <li>• Pressure too high</li> <li>• Worn spray tip</li> </ul>	<ul style="list-style-type: none"> <li>• Spray at closer distance</li> <li>• Thin material</li> <li>• Adjust control knob</li> <li>• Replace spray tip</li> </ul>
• Uneven spray pattern	<ul style="list-style-type: none"> <li>• One or more holes in the atomizer valve have clogged</li> <li>• Partial blockage in spray nozzle</li> </ul>	<ul style="list-style-type: none"> <li>• Clean atomizer valve</li> <li>• Clean nozzle</li> </ul>
• Material leaks into head of pump housing	<ul style="list-style-type: none"> <li>• Operating sprayer with an upward tilt</li> <li>• Piston or cylinder wall scored</li> </ul>	<ul style="list-style-type: none"> <li>• Keep sprayer level</li> <li>• Replace piston or cylinder pump</li> </ul>
• Material dripping	<ul style="list-style-type: none"> <li>• Nozzle loose</li> <li>• Operating at more than a 40° angle</li> </ul>	<ul style="list-style-type: none"> <li>• Tighten nozzle</li> <li>• Keep sprayer upright</li> </ul>
• Motor overheats	<ul style="list-style-type: none"> <li>• Operating sprayer for a prolong period of time</li> </ul>	<ul style="list-style-type: none"> <li>• Let sprayer cool</li> </ul>
• Paint will not draw up	<ul style="list-style-type: none"> <li>• Sprayer not lubricated</li> </ul>	<ul style="list-style-type: none"> <li>• Lubricate sprayer parts</li> </ul>
• Will not spray	<ul style="list-style-type: none"> <li>• Atomizer valve plugged</li> <li>• Atomizer valve not properly seated</li> </ul>	<ul style="list-style-type: none"> <li>• Make sure atomizer valve is clean and free from debris</li> <li>• Push and turn valve in cartridge to properly seat, also check to make sure valve is inserted correctly</li> </ul>

## RESOLUCIÓN DE PROBLEMAS

Problema	Causa	Solución
• El motor no funciona	<ul style="list-style-type: none"> <li>• No hay corriente al motor</li> <li>• Hay una conexión eléctrica floja</li> <li>• Motor o interruptor defectuoso</li> </ul>	<ul style="list-style-type: none"> <li>• Revise el tomacorriente de pared y la extensión</li> <li>• Llame al Departamento de Servicio al Cliente</li> </ul>
• El motor produce un zumbido sordo	<ul style="list-style-type: none"> <li>• La perilla de control está atornillada completamente</li> <li>• Pistón trabado</li> <li>• La válvula atomizadora o la boquilla de rociado está tapada</li> <li>• El conjunto de la válvula atomizadora no está asentado adecuadamente</li> </ul>	<ul style="list-style-type: none"> <li>• Ajuste la perilla de control</li> <li>• Quite el pistón y el cartucho y límpielos (agregue lubricante de látex)</li> <li>• Limpie los orificios de ambas piezas y vuelva a montar la válvula atomizadora</li> <li>• Vuelva a colocar la válvula atomizadora</li> </ul>
• La pintura está salpicando • La pintura salpica	<ul style="list-style-type: none"> <li>• El recipiente tiene poca pintura</li> <li>• Ajuste inadecuado</li> <li>• El material es muy espeso</li> <li>• La boquilla de rociado es demasiado larga o está desgastada</li> <li>• Boquilla de rociado floja</li> <li>• El material tiene impurezas</li> <li>• La pintura tiene impurezas</li> <li>• Válvula atomizadora desgastada</li> </ul>	<ul style="list-style-type: none"> <li>• Vuelva a llenar el recipiente</li> <li>• Ajuste la perilla de control</li> <li>• Diluir (agregue lubricante de látex)</li> <li>• Reemplace la boquilla o use una más chica</li> <li>• Apriete la boquilla de rociado</li> <li>• Filtre el material</li> <li>• Pásela por un colador de pintura</li> <li>• Reemplace la válvula atomizadora</li> </ul>
• Excesiva formación de niebla	<ul style="list-style-type: none"> <li>• Se está rociando muy lejos de la superficie</li> <li>• El material está muy espeso</li> <li>• La presión es demasiado alta</li> <li>• Punta de rociado desgastada</li> </ul>	<ul style="list-style-type: none"> <li>• Rocíe a una distancia más corta</li> <li>• Adelgace el material</li> <li>• Ajuste la perilla de control</li> <li>• Reemplace la punta de rociado</li> </ul>
• Patrón de rociado irregular	<ul style="list-style-type: none"> <li>• Uno o más orificios de la válvula atomizadora están tapados</li> <li>• Bloqueo parcial de la boquilla de rociado</li> </ul>	<ul style="list-style-type: none"> <li>• Limpie la válvula atomizadora</li> <li>• Limpie la boquilla</li> </ul>
• El material se está filtrando en la cabeza de la cubierta de la bomba	<ul style="list-style-type: none"> <li>• Se está operando la rociadora con una inclinación hacia arriba</li> <li>• El pistón o la pared del cilindro está raspado</li> </ul>	<ul style="list-style-type: none"> <li>• Mantenga nivelada la rociadora</li> <li>• Reemplace el pistón o la bomba de cilindro</li> </ul>
• El material está goteando	<ul style="list-style-type: none"> <li>• La boquilla está floja</li> <li>• Se está operando la rociadora en un ángulo mayor de 40°</li> </ul>	<ul style="list-style-type: none"> <li>• Apriete la boquilla</li> <li>• Mantenga vertical la rociadora</li> </ul>
• El motor se está sobrecalentando	<ul style="list-style-type: none"> <li>• La rociadora ha estado funcionando durante un periodo prolongado de tiempo</li> </ul>	<ul style="list-style-type: none"> <li>• Deje que la rociadora se enfríe</li> </ul>
• La pintura no sale	<ul style="list-style-type: none"> <li>• El rociador no está lubricado</li> </ul>	<ul style="list-style-type: none"> <li>• Lubrique las piezas del rociador</li> </ul>
• No rocía	<ul style="list-style-type: none"> <li>• La válvula del atomizador está tapada</li> <li>• La válvula del atomizador no está adecuadamente asentada</li> </ul>	<ul style="list-style-type: none"> <li>• Asegúrese de que la válvula del atomizador esté limpia y libre de residuos.</li> <li>• Empuje y gire la válvula en el cartucho para asentarla adecuadamente, también verifique que la válvula esté insertada adecuadamente.</li> </ul>

## DÉPANNAGE

Problème	Cause	Solution
• Le moteur ne tourne pas	<ul style="list-style-type: none"> <li>• Moteur non alimenté en tension</li> <li>• Connexions électriques desserrées</li> <li>• Moteur ou prise défectueux</li> </ul>	<ul style="list-style-type: none"> <li>• Vérifiez la prise murale et la rallonge.</li> <li>• Appelez le service à la clientèle</li> </ul>
• Le moteur produit un bourdonnement étouffé	<ul style="list-style-type: none"> <li>• Bouton de réglage complètement vissé</li> <li>• Piston grippé</li> <li>• Soupape d'atomiseur ou buse de pulvérisation obstruées</li> <li>• Soupape d'atomiseur mal montée</li> </ul>	<ul style="list-style-type: none"> <li>• Ajustez le bouton de réglage</li> <li>• Retirez le piston et la cartouche puis nettoyez-les (ajoutez du lubrifiant au latex)</li> <li>• Nettoyez les orifices de chacun de ces composants, remplacez la soupape d'atomiseur</li> <li>• Remplacez la soupape d'atomiseur</li> </ul>
• La teinture est distribuée de manière non uniforme • La peinture fait des gouttes	<ul style="list-style-type: none"> <li>• Niveau du réservoir bas</li> <li>• Réglage incorrect</li> <li>• Produit trop épais</li> <li>• Buse de pulvérisation trop grosse ou usée</li> <li>• Buse de pulvérisation desserrée</li> <li>• Le produit contient des impuretés</li> <li>• La peinture comporte des impuretés</li> <li>• Soupape d'atomiseur usée</li> </ul>	<ul style="list-style-type: none"> <li>• Remplissez le réservoir</li> <li>• Ajustez le bouton de réglage</li> <li>• Diluez (ajoutez du lubrifiant au latex)</li> <li>• Remplacez la buse ou utilisez une buse plus petite</li> <li>• Serrez la buse de pulvérisation</li> <li>• Passez le produit au tamis</li> <li>• Passez la peinture au tamis</li> <li>• Remplacez la soupape d'atomiseur</li> </ul>
• Buée excessive	<ul style="list-style-type: none"> <li>• La pulvérisation s'effectue trop loin de la surface à couvrir</li> <li>• Produit trop épais</li> <li>• Pression trop élevée</li> <li>• Embout de pulvérisation usé</li> </ul>	<ul style="list-style-type: none"> <li>• Placez-vous plus près de la surface à couvrir</li> <li>• Diluez le produit</li> <li>• Ajustez le bouton de réglage</li> <li>• Remplacez l'embout de pulvérisation</li> </ul>
• Répartition non uniforme de la pulvérisation	<ul style="list-style-type: none"> <li>• Un ou plusieurs orifices de la soupape d'atomiseur sont obstrués</li> <li>• Obstruction partielle de la buse de pulvérisation</li> </ul>	<ul style="list-style-type: none"> <li>• Nettoyez la soupape d'atomiseur</li> <li>• Nettoyez la buse</li> </ul>
• Fuites de produit dans la tête du corps de la pompe	<ul style="list-style-type: none"> <li>• Utilisation du pulvérisateur avec une inclinaison vers le haut</li> <li>• Piston ou paroi du cylindre rainés</li> </ul>	<ul style="list-style-type: none"> <li>• Gardez le pulvérisateur à niveau</li> <li>• Remplacez le piston ou la pompe du cylindre</li> </ul>
• Le produit s'égoutte de l'appareil	<ul style="list-style-type: none"> <li>• Buse desserrée</li> <li>• Fonctionnement à un angle supérieur à 40 degrés</li> </ul>	<ul style="list-style-type: none"> <li>• Serrez la buse</li> <li>• Gardez le pulvérisateur dans une position verticale</li> </ul>
• Le moteur surchauffe	<ul style="list-style-type: none"> <li>• Fonctionnement du pulvérisateur pendant une période prolongée.</li> </ul>	<ul style="list-style-type: none"> <li>• Laissez le pulvérisateur refroidir</li> </ul>
• La peinture n'est pas aspirée	<ul style="list-style-type: none"> <li>• Pulvérisateur non lubrifié</li> </ul>	<ul style="list-style-type: none"> <li>• Lubrifiez les pièces du pulvérisateur</li> </ul>
• Absence de jet	<ul style="list-style-type: none"> <li>• Clapet d'atomiseur obstrué</li> <li>• Clapet d'atomiseur mal appuyé</li> </ul>	<ul style="list-style-type: none"> <li>• Assurez-vous que le clapet d'atomiseur est propre et sans débris</li> <li>• Poussez et tournez le clapet dans la cartouche pour l'appuyer correctement et vérifiez s'il est bien inséré</li> </ul>

## One Year Limited Warranty

HomeRight warrants this product for one year from the date of purchase, when this unit is maintained and operated according to the instructions in the owner's manual, from any defects in material or workmanship HomeRight will repair or replace defective product at no charge and return postage-paid to you. This warranty does not cover accessories or damage resulting from improper use, negligence, accidents or normal wear and tear. If this sprayer is used for commercial or rental purposes, this warranty is void.

Any implied warranty or merchantability or fitness for a particular purpose is limited to one year following date of purchase.

Responsibility is limited to the repair or replacement for defects in material or workmanship. HomeRight shall not in any event be liable for any incidental or consequential damages of any kind, whether for breach of this warranty or any other reason.

Some states do not allow a limitation on how long implied warranties last or the exclusion of incidental or consequential damages, so the above limitation and exclusion may not apply to you.

This warranty gives you specific legal rights, and you may also have other rights which vary from state to state.

For warranty service, send your product postage-paid along with a description of what the problem is to: HomeRight, Warranty Dept., 1661 94th Lane N.E., Minneapolis, MN 55449 or call customer service at 800-264-5442, 763-780-5115 for further assistance.

## Garantía limitada de un año

HomeRight garantiza este producto por cualquier defecto en el material o la mano de obra, durante un año a partir de la fecha de compra, cuando esta unidad se mantenga y opere de acuerdo con las instrucciones contenidas en el manual del propietario. HomeRight reparará o reemplazará gratuitamente el producto defectuoso y se lo devolverá con porte pagado. Esta garantía no cubre accesorios ni daños resultantes del uso inadecuado, negligencia, accidentes o desgaste normal. Si la rociadora se usa con propósitos comerciales o se arrienda, esta garantía queda anulada.

Cualquier garantía implícita, de comercialización o de idoneidad para un propósito particular se limita a un año después de la fecha de la compra.

La responsabilidad se limita a la reparación o reemplazo por defectos en el material o la mano de obra. En ningún evento HomeRight será responsable por ningún daño incidental o resultante de cualquier clase, ya sea por incumplimiento de esta garantía o por cualquier otra razón.

Algunos estados no permiten una limitación en la duración de las garantías implícitas ni la exclusión de daños incidentales o resultantes, de manera que la limitación y la exclusión anteriores pueden no aplicar a usted.

Esta garantía le otorga derechos legales específicos, y usted también puede tener otros derechos que varían entre estados.

Si desea solicitar servicio cubierto por esta garantía, envíe su producto con porte pagado junto con una descripción del problema a: HomeRight, Warranty Dept., 1661 94th Lane N.E., Minneapolis, MN 55449 EE.UU., o llame al Departamento de Servicio al Cliente al teléfono 800-264-5442, o al 763-780-5115 para solicitar asistencia adicional.

## Garantie limitée d'un an

HomeRight garantit ce produit contre tout défaut de matériaux et de main-d'œuvre pendant une période d'un an à partir de la date d'achat s'il est entretenu et utilisé selon les directives contenues dans le présent guide du propriétaire, HomeRight réparera ou remplacera un produit défectueux sans frais et vous retournera l'appareil port payé. Cette garantie ne couvre pas les accessoires, ni les dommages découlant d'une utilisation inadéquate, de la négligence, d'un accident ou de l'usure et de la détérioration normales. Si le pulvérisateur est utilisé à des fins commerciales ou locatives, cette garantie est nulle et non avenue.

Toute garantie implicite quant à la qualité marchande ou à l'adaptation à un usage particulier est limitée à un an suivant la date d'achat.

La responsabilité est limitée à la réparation ou au remplacement des vices de matériaux ou de main-d'œuvre. HomeRight décline toute responsabilité pour tout dommage accessoire ou indirect de quelque nature que ce soit, y compris pour violation de cette garantie ou tout autre motif.

Certains États ou Provinces interdisant l'exclusion ou la limitation des dommages accessoires ou indirects, il se peut que la limitation ou l'exclusion ci-dessus ne s'applique pas à vous.

Cette garantie vous accorde des droits spécifiques auxquels peuvent s'ajouter d'autres droits variant d'un État ou d'une Province à l'autre.

Pour le service de garantie, faites parvenir le produit dûment affranchi accompagné d'une description du problème à : HomeRight, Warranty Dept., 1661 94th Lane N.E., Minneapolis, MN 55449, États-Unis, ou appelez le service à la clientèle au 800 264-5442, (763) 780-5115 pour obtenir une assistance supplémentaire.

### HomeRight®

1661 94th Lane N.E.  
Minneapolis, Minnesota 55449-4324  
Phone 763-780-5115  
Customer Service Line 1-800-264-5442  
8:00 a.m. to 5:00 p.m. CST

### HomeRight®

1661 94th Lane N. E.  
Minneapolis, MN 55449-4324  
Tel: 763-780-5115  
Línea de servicio al cliente. 1-800-264-5442

### HomeRight®

1661 94th Lane N. E.  
Minneapolis, MN 55449-4324  
États-Unis 763-780-5115  
Numéro de service à la clientèle. 1-800-264-5442